



X3T9.2/88-036

MHOTRONICS, INC.

444 LAKE COOK ROAD, SUITE 8
DEERFIELD, ILLINOIS 60015
PHONE: (312) 948-5600
TWX: 910-686-0630 MHOCHI DFLD.
TLX: 288753 MHOC UR
FAX: (312) 948-5604 (GII, GIII)

March 16, 1988

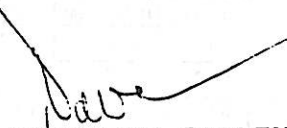
MR. JOHN B. LOHMEYER
NCR CORPORATION
3718 North Rock Road
Wichita, Kansas 67226

Dear John,

Enclosed please find drawings of the Honda connector illustrating the interface dimensions needed for the documentation of the SCSI 2 connector. I believe everything is in order, however should you have any comments or require any additional information, please call.

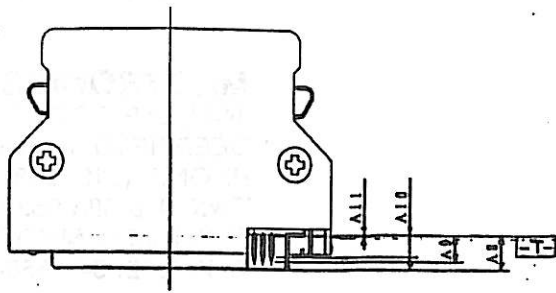
In the meantime, I am preparing similar drawings for the unshielded versions which you may expect to receive shortly.

Best regards,

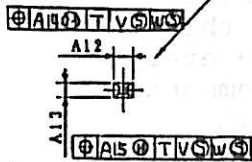
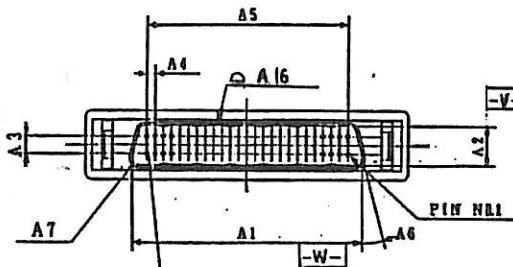

DAVID MC FADDEN
Sales Manager

DMF:dlv

encl.



| DIMENSIONS | 50 POSITION | | 68 POSITION | |
|------------|-------------|-------------------|-------------|-------------------|
| | MILLIMETERS | INCHES | MILLIMETERS | INCHES |
| A1 | 34.85 | 1.372 | 46.28 | 1.822 |
| A2 | 5.7 | 0.224 | 5.7 | 0.224 |
| A3 | 2.54 | 0.100 | 2.54 | 0.100 |
| A4 | 1.27 | 0.050 | 1.27 | 0.050 |
| A5 | 30.48 | 1.200 | 41.91 | 1.650 |
| A6 | 15° | 15° | 15° | 15° |
| A7 | R1 | R0.039 | R1 | R0.039 |
| A8 | 5.1 | 0.201 | 5.1 | 0.201 |
| A9 | 3.9 | 0.154 | 3.9 | 0.154 |
| A10 | 3.2 | 0.126 | 3.2 | 0.126 |
| A11 | 0.2 | 0.008 | 0.2 | 0.008 |
| A12 | 0.6±0.03 | ±0.001 0.024 | 0.6±0.03 | ±0.001 0.024 |
| A13 | 0.4±0.01 | ±0.0004 0.0157 | 0.4±0.01 | ±0.0004 0.0157 |
| A14 | 0.23 | 0.009 | 0.23 | 0.009 |
| A15 | 0.23 | 0.009 | 0.23 | 0.009 |
| A16 | 0.05 | 0.002 | 0.05 | 0.002 |



| | | | | | |
|----|--------|----|--------|----|--------|
| 品名 | PC-111 | 規格 | PC-111 | 標準 | PC-111 |
| 品番 | PC-111 | 製造 | PC-111 | 検査 | PC-111 |
| 材料 | PC-111 | 用途 | PC-111 | 備考 | PC-111 |
| 数量 | PC-111 | 単位 | PC-111 | 備考 | PC-111 |
| 備考 | PC-111 | 備考 | PC-111 | 備考 | PC-111 |

本多通信工業株式会社
MORITA TELECOMMUNICATIONS CO., LTD.

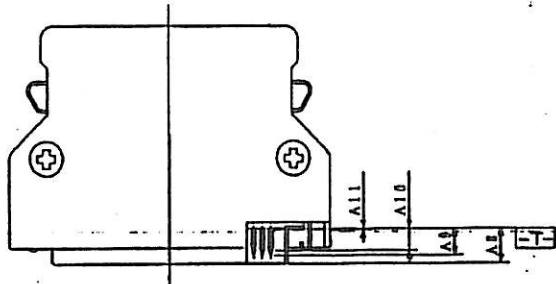
規格
PC-111
用途
PC-111
備考
PC-111

規格
PC-111
用途
PC-111
備考
PC-111

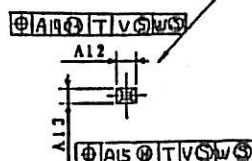
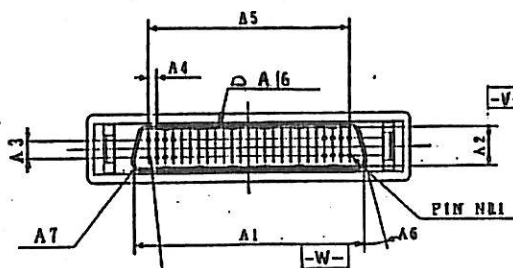
規格
PC-111
用途
PC-111
備考
PC-111

規格
PC-111
用途
PC-111
備考
PC-111

規格
PC-111
用途
PC-111
備考
PC-111



| DIMENSIONS | 50 POSITION | | 68 POSITION | |
|------------|-------------|-------------------|-------------|-------------------|
| | MILLIMETERS | INCHES | MILLIMETERS | INCHES |
| A1 | 34.85 | 1.372 | 46.28 | 1.822 |
| A2 | 5.7 | 0.224 | 5.7 | 0.224 |
| A3 | 2.54 | 0.100 | 2.54 | 0.100 |
| A4 | 1.27 | 0.050 | 1.27 | 0.050 |
| A5 | 30.48 | 1.200 | 41.91 | 1.650 |
| A6 | 15° | 15° | 15° | 15° |
| A7 | R1 | R0.039 | R1 | R0.039 |
| A8 | 5.1 | 0.201 | 5.1 | 0.201 |
| A9 | 3.9 | 0.154 | 3.9 | 0.154 |
| A10 | 3.2 | 0.126 | 3.2 | 0.126 |
| A11 | 0.2 | 0.008 | 0.2 | 0.008 |
| A12 | 0.6±0.03 | ±0.001 0.024 | 0.6±0.03 | ±0.001 0.024 |
| A13 | 0.4±0.01 | ±0.0004 0.0157 | 0.4±0.01 | ±0.0004 0.0157 |
| A14 | 0.23 | 0.009 | 0.23 | 0.009 |
| A15 | 0.23 | 0.009 | 0.23 | 0.009 |
| A16 | 0.05 | 0.002 | 0.05 | 0.002 |



| | | | | | |
|----|--------|----|--------|----|--------|
| 品名 | PC-111 | 規格 | PC-111 | 標準 | PC-111 |
| 品番 | PC-111 | 製造 | PC-111 | 検査 | PC-111 |
| 材料 | PC-111 | 用途 | PC-111 | 備考 | PC-111 |
| 数量 | PC-111 | 単位 | PC-111 | 備考 | PC-111 |
| 備考 | PC-111 | 備考 | PC-111 | 備考 | PC-111 |

本多通信工業株式会社
MORITA TELECOMMUNICATIONS CO., LTD.

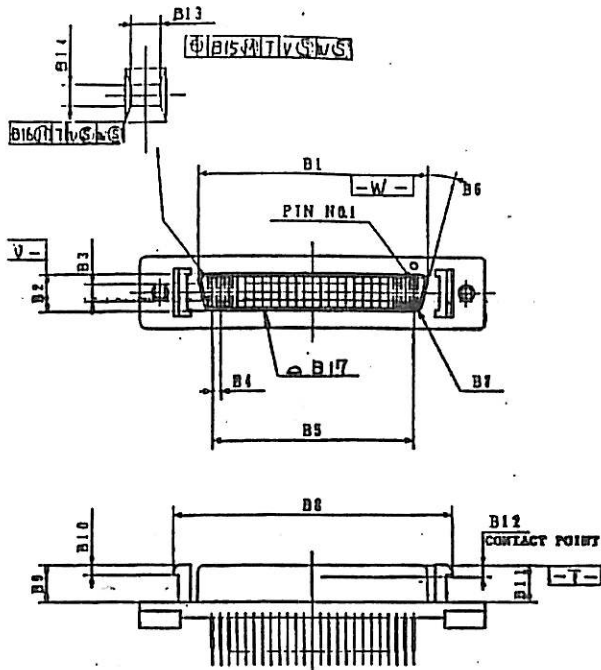
規格
PC-111
用途
PC-111
備考
PC-111

規格
PC-111
用途
PC-111
備考
PC-111

規格
PC-111
用途
PC-111
備考
PC-111

規格
PC-111
用途
PC-111
備考
PC-111

規格
PC-111
用途
PC-111
備考
PC-111

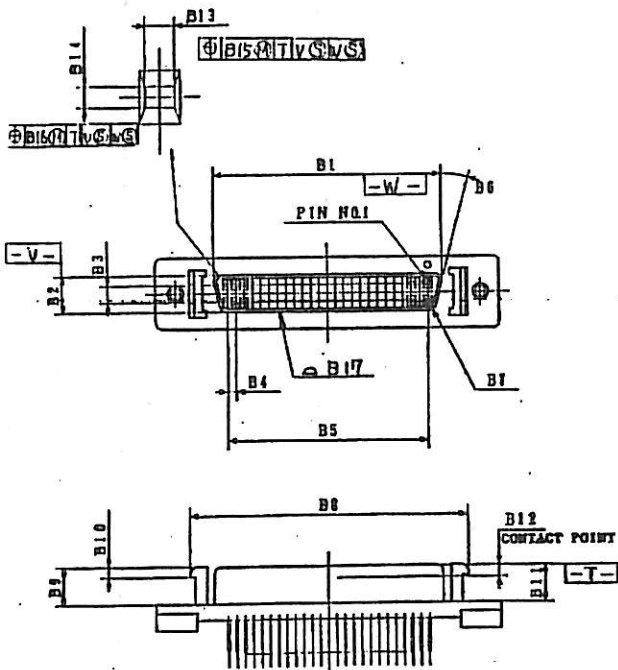


| DIMENSIONS | 50 POSITION | | 68 POSITION | |
|------------|-------------|-----------------|-------------|-----------------|
| | MILLIMETERS | INCHES | MILLIMETERS | INCHES |
| B1 | 34.70 | 1.366 | 46.13 | 1.816 |
| B2 | 5.5 | 0.217 | 5.5 | 0.217 |
| B3 | 2.54 | 0.100 | 2.54 | 0.100 |
| B4 | 1.27 | 0.050 | 1.27 | 0.050 |
| B5 | 30.48 | 1.200 | 41.91 | 1.650 |
| B6 | 15° | 15° | 15° | 15° |
| B7 | R1 | R0.039 | R1 | R0.039 |
| B8 | 42.28 | 1.665 | 53.71 | 2.115 |
| B9 | 5.5 | 0.217 | 5.5 | 0.217 |
| B10 | 1.5 | 0.059 | 1.5 | 0.059 |
| B11 | 5.4 | 0.213 | 5.4 | 0.213 |
| B12 | 1.7 | 0.067 | 1.7 | 0.067 |
| B13 | 0.9±0.1 | 0.035±0.004 | 0.9±0.1 | 0.035±0.004 |
| B14 | 0.6±0.05 | ±0.002 0.024 | 0.6±0.05 | ±0.002 0.024 |
| B15 | 0.15 | 0.006 | 0.15 | 0.006 |
| B16 | 0.15 | 0.006 | 0.15 | 0.006 |
| B17 | 0.05 | 0.002 | 0.05 | 0.002 |

FROM HONDA TOSHIMU

(15/1)

| | | | | | | | | | |
|-------|--|------|--|----|--|-----|--|------------------------------|--|
| 記号 | | 品名 | | 材料 | | 規格 | | 備考 | |
| 4.504 | | 1728 | | 銅 | | JIS | | 本多通信工業株式会社 | |
| | | | | | | | | HONDA TOSHIMU KOYO CO., LTD. | |
| | | | | | | | | JIS | |
| | | | | | | | | E111 SPACING | |
| | | | | | | | | PCS-PH TYPE | |
| | | | | | | | | STRAIGHT SOLDSR CIP | |
| | | | | | | | | FEMALE CONNECTOR | |
| | | | | | | | | PCS-B (1) PD | |



| DIMENSIONS | 50 POSITION | | 68 POSITION | |
|------------|-------------|-----------------|-------------|-----------------|
| | MILLIMETERS | INCHES | MILLIMETERS | INCHES |
| B1 | 34.70 | 1.366 | 46.13 | 1.816 |
| B2 | 5.5 | 0.217 | 5.5 | 0.217 |
| B3 | 2.54 | 0.100 | 2.54 | 0.100 |
| B4 | 1.27 | 0.050 | 1.27 | 0.050 |
| B5 | 30.48 | 1.200 | 41.91 | 1.650 |
| B6 | 15° | 15° | 15° | 15° |
| B7 | R1 | R0.039 | R1 | R0.039 |
| B8 | 42.28 | 1.665 | 53.71 | 2.115 |
| B9 | 5.5 | 0.217 | 5.5 | 0.217 |
| B10 | 1.5 | 0.059 | 1.5 | 0.059 |
| B11 | 5.4 | 0.213 | 5.4 | 0.213 |
| B12 | 1.7 | 0.067 | 1.7 | 0.067 |
| B13 | 0.9±0.1 | 0.035±0.004 | 0.9±0.1 | 0.035±0.004 |
| B14 | 0.6±0.05 | ±0.002 0.024 | 0.6±0.05 | ±0.002 0.024 |
| B15 | 0.15 | 0.006 | 0.15 | 0.006 |
| B16 | 0.15 | 0.006 | 0.15 | 0.006 |
| B17 | 0.05 | 0.002 | 0.05 | 0.002 |

FROM HONDA TOSHIMU

(15/1)

| | | | | | | | | | |
|-------|--|------|--|----|--|-----|--|------------------------------|--|
| 記号 | | 品名 | | 材料 | | 規格 | | 備考 | |
| 4.504 | | 1728 | | 銅 | | JIS | | 本多通信工業株式会社 | |
| | | | | | | | | HONDA TOSHIMU KOYO CO., LTD. | |
| | | | | | | | | JIS | |
| | | | | | | | | E111 SPACING | |
| | | | | | | | | PCS-PH TYPE | |
| | | | | | | | | STRAIGHT SOLDSR CIP | |
| | | | | | | | | FEMALE CONNECTOR | |
| | | | | | | | | PCS-B (1) PD | |

111