

X3T9.2/87-164

Electronic Products Division/3M

Building 502, 12209 Metric Boulevard
PO Box 2963
Austin, Texas 78769-2963
512/834 1800



September 10, 1987

Mr. John B. Lohmeyer
NCR Corporation
3718 N. Rock Road
Wichita, KS 67226

Dear John:

3M is pleased to present the Miniaturized Delta Ribbon connector for consideration as an SCSI-II standard. We believe that this connector will meet reliability expectations of users and satisfy the overall requirement for I/O connectors.

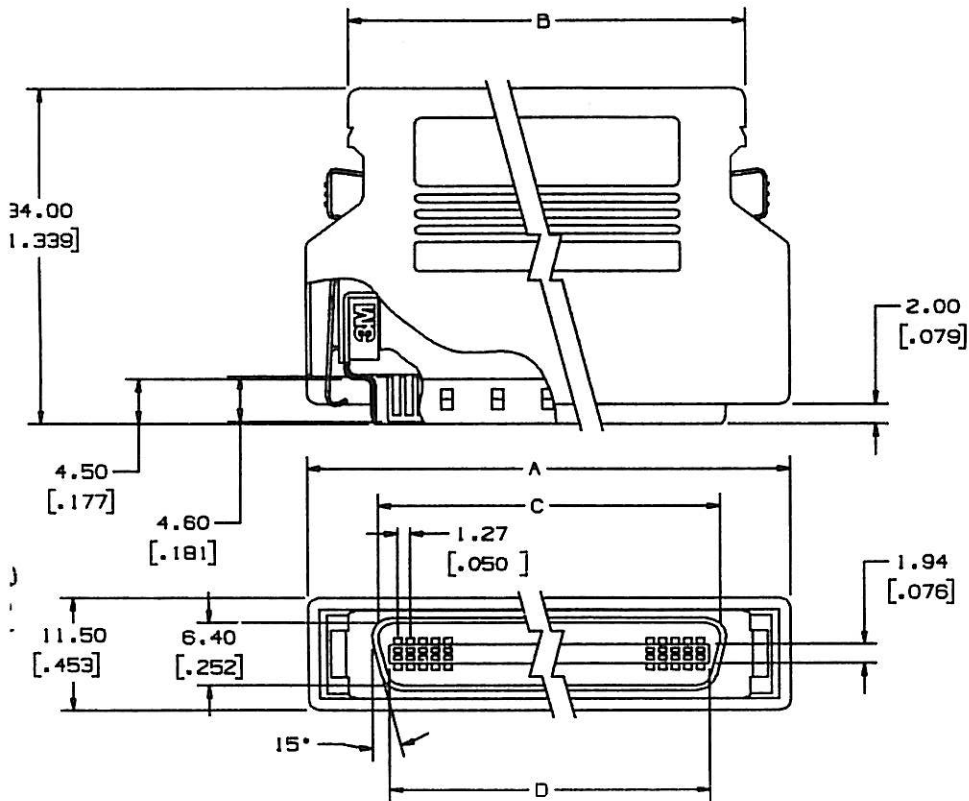
Please distribute the attached documents to interested members of ANSI X3T9.

Sincerely yours,

A handwritten signature in cursive script that reads "Robert C. Herron".

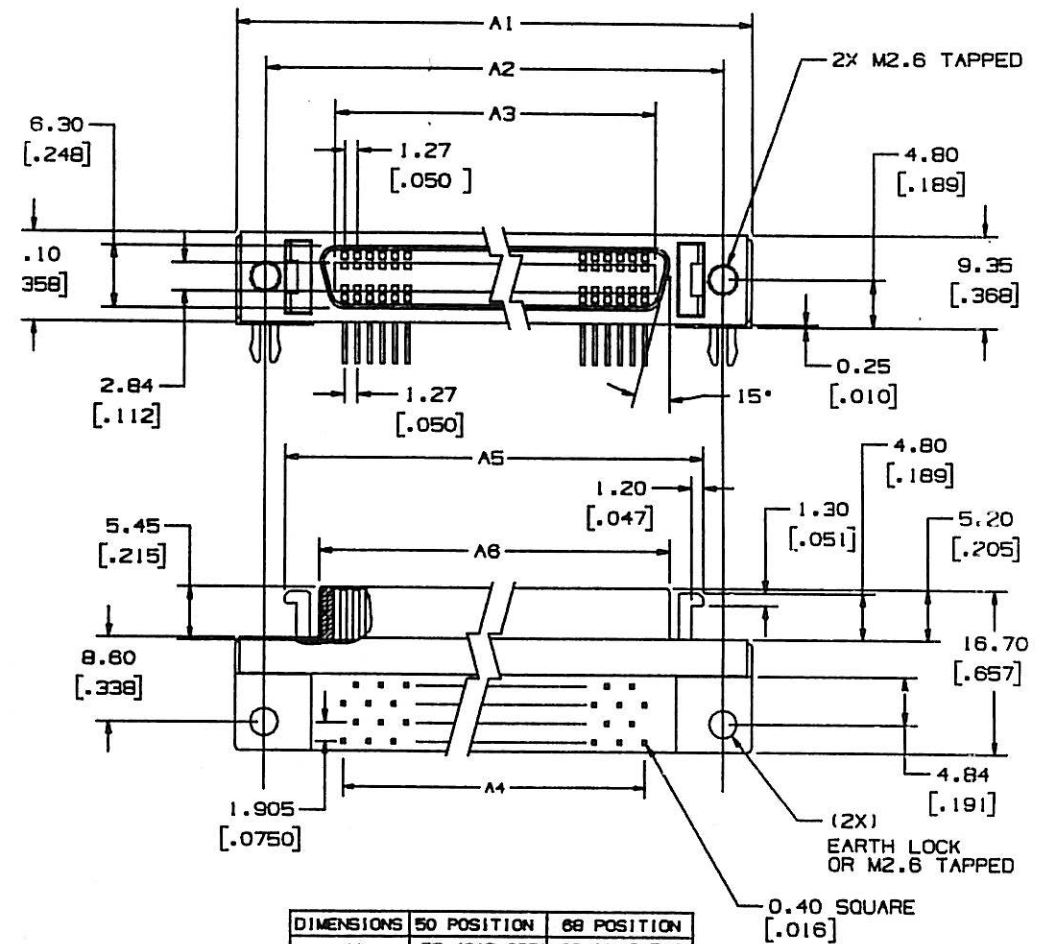
Robert C. Herron
Electronic Products Division/3M
Building A502-1S-40
11209 Metric Boulevard
Austin, TX 78769-2963

PLUG (CABLE VERSION)



DIMENSIONS	50 POSITION	68 POSITION
A	48.70 (1.917)	60.13 (2.367)
B	40.00 (1.575)	51.43 (2.025)
C	35.84 (1.403)	47.07 (1.853)
D	32.28 (1.271)	43.71 (1.721)

RECEPTACLE (BOARD VERSION)



DIMENSIONS	50 POSITION	68 POSITION
A1	52.40 (2.063)	63.83 (2.513)
A2	46.50 (1.831)	57.93 (2.281)
A3	32.48 (1.279)	43.91 (1.729)
A4	30.48 (1.200)	41.91 (1.650)
A5	42.40 (1.669)	53.83 (2.119)
A6	34.98 (1.377)	46.41 (1.827)