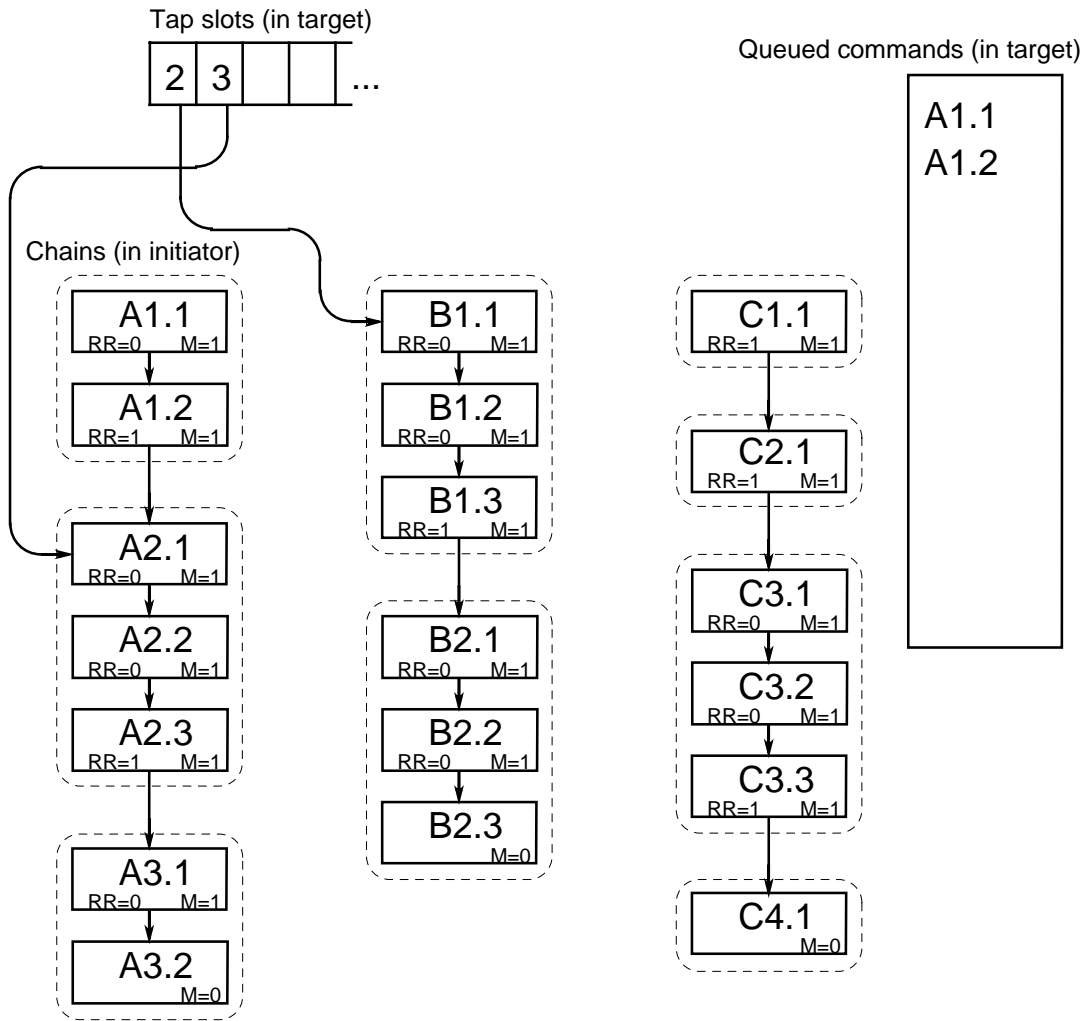


Initiator:
Tap A
Tap B

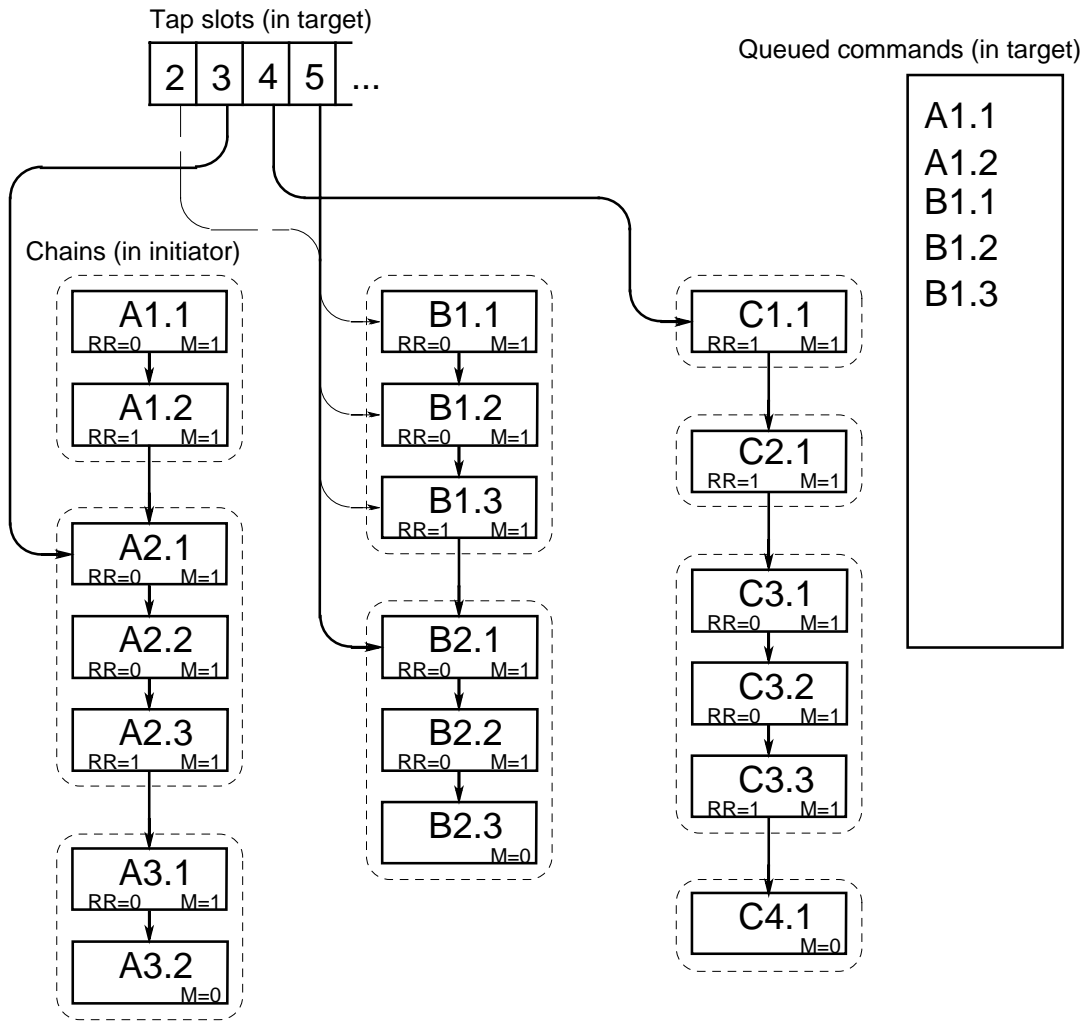
Target:
Fetch A1.1
Fetch A1.2
About to process RR=1



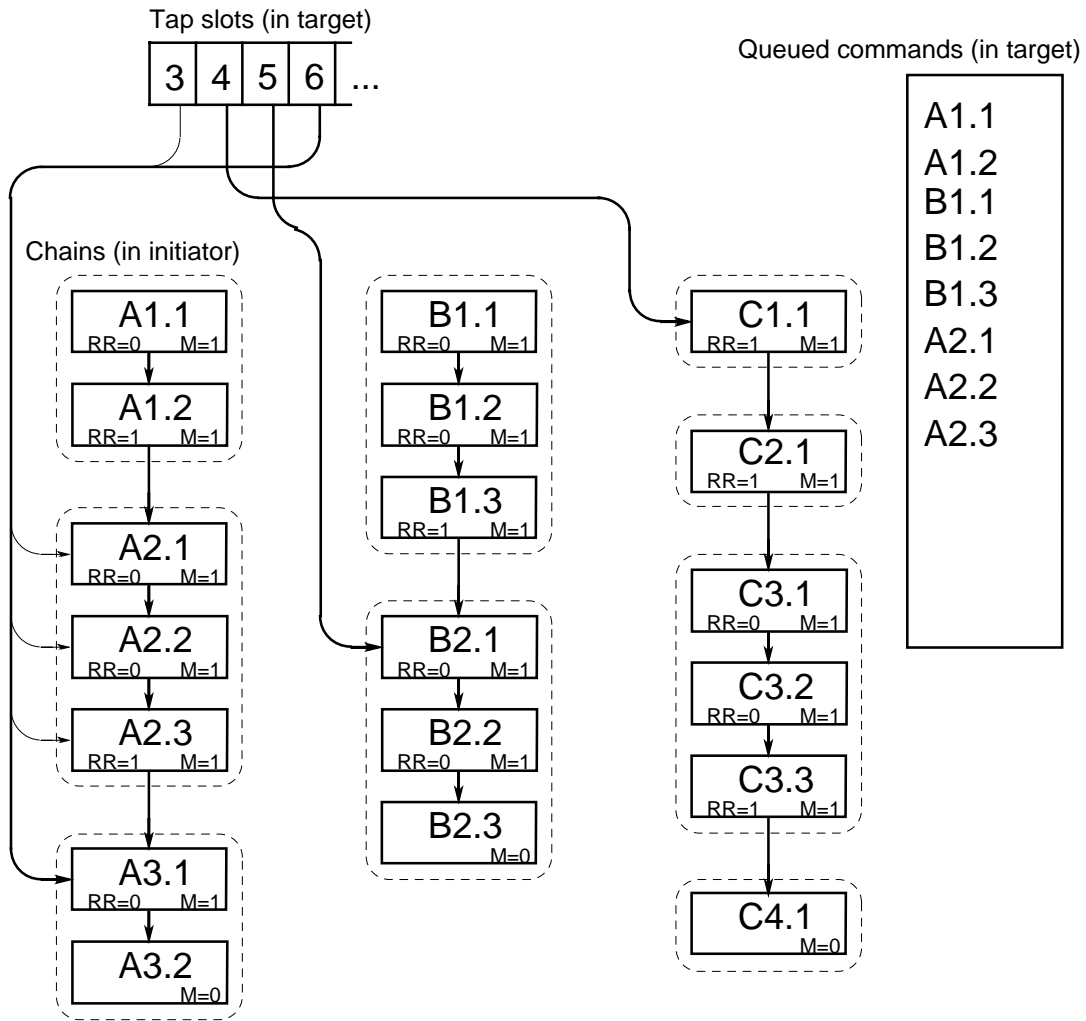
Initiator:
Tap A
Tap B

Target:

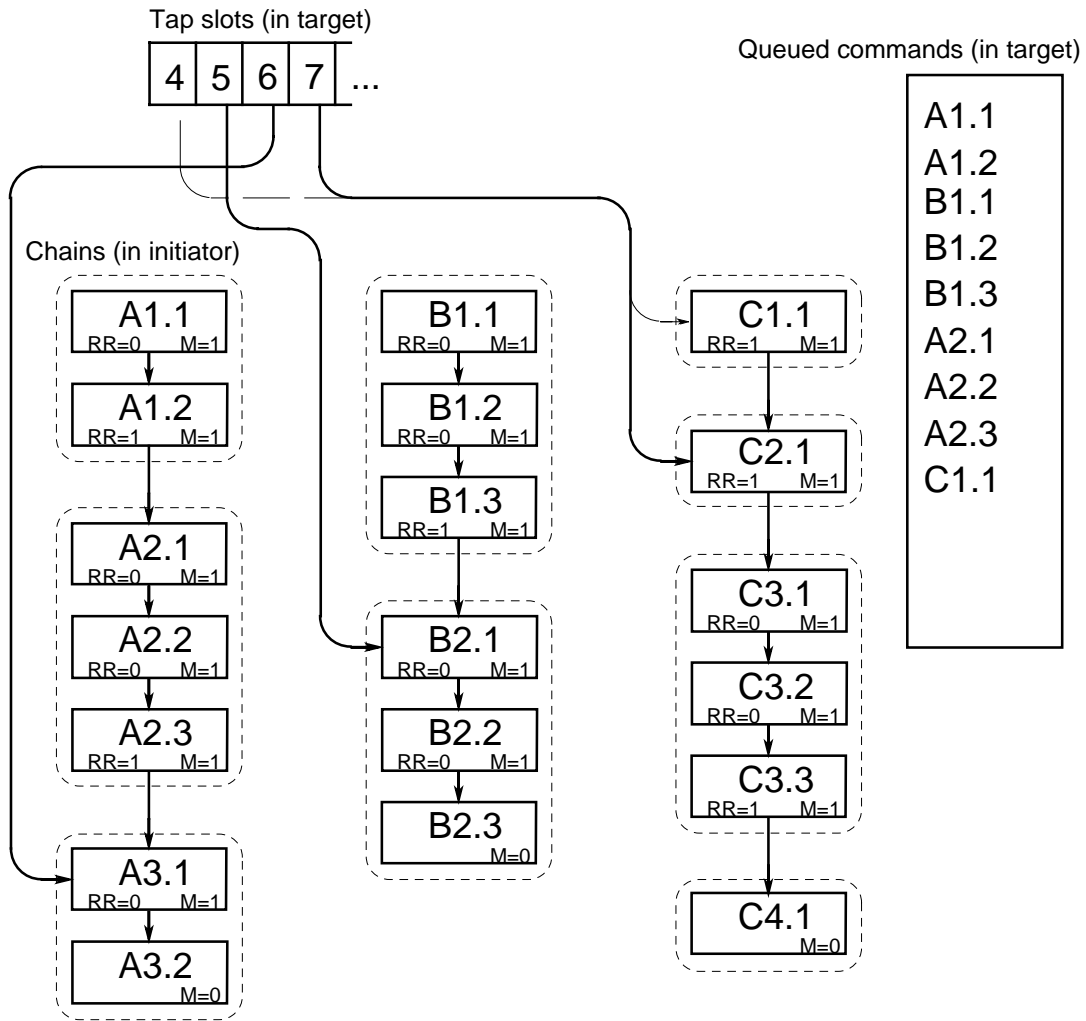
Fetch A1.1
Fetch A1.2
After processing RR=1



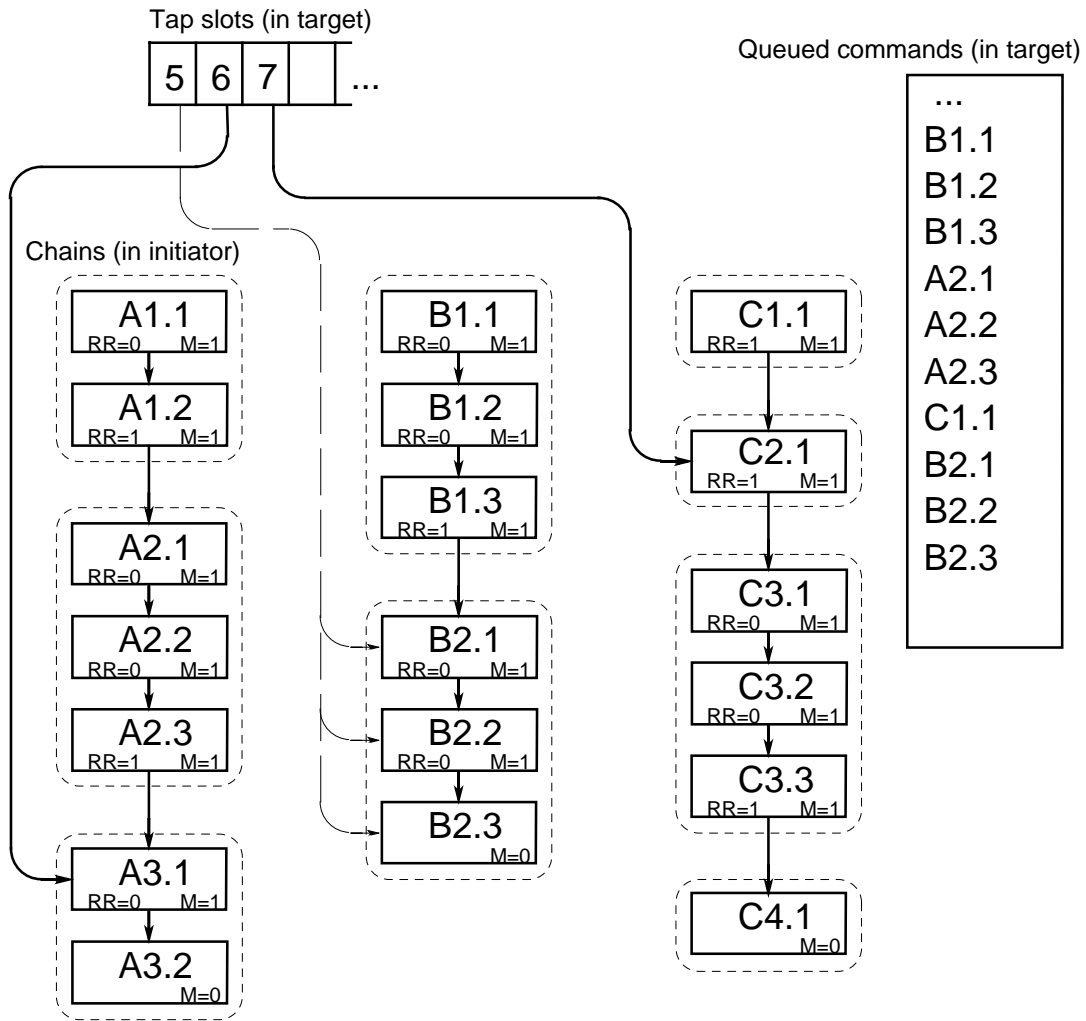
Initiator: Tap A, B
 Tap C
 Target: Fetch A1.1, A1.2
 Fetch B1.1, B1.2, B1.3



Initiator:	Target:
Tap A, B	Fetch A1.1, A1.2
Tap C	Fetch B1.1, B1.2, B1.3
	Fetch A2.1, A2.2, A2.3



Initiator:	Target:
Tap A, B	Fetch A1.1, A1.2
Tap C	Fetch B1.1, B1.2, B1.3
	Fetch A2.1, A2.2, A2.3
	Fetch C1.1



Initiator: Target:

Tap A, B

Tap C

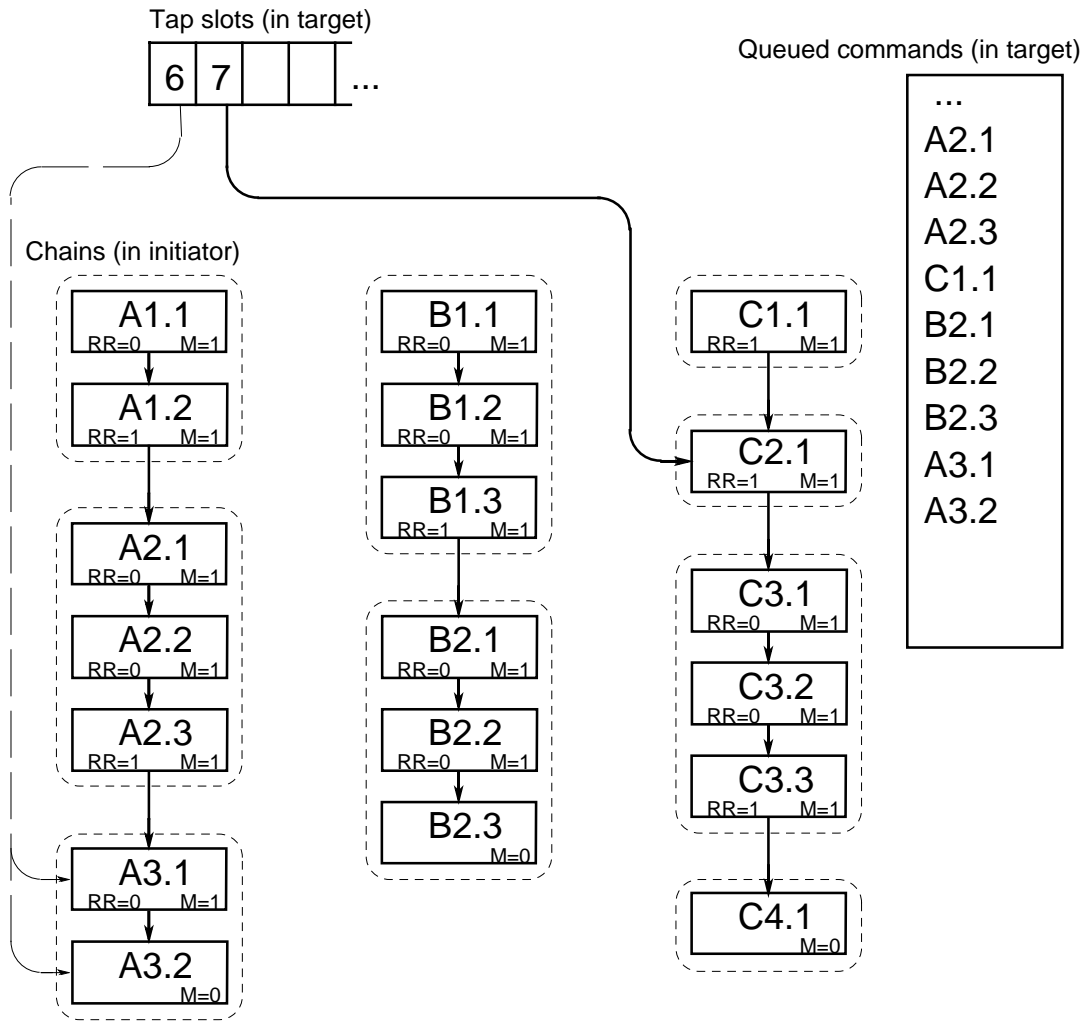
Fetch A1.1, A1.2

Fetch B1.1, B1.2, B1.3

Fetch A2.1, A2.2, A2.3

Fetch C1.1

Fetch B2.1, B2.2, B2.3



Initiator: Target:

Tap A, B

Tap C

Fetch A1.1, A1.2

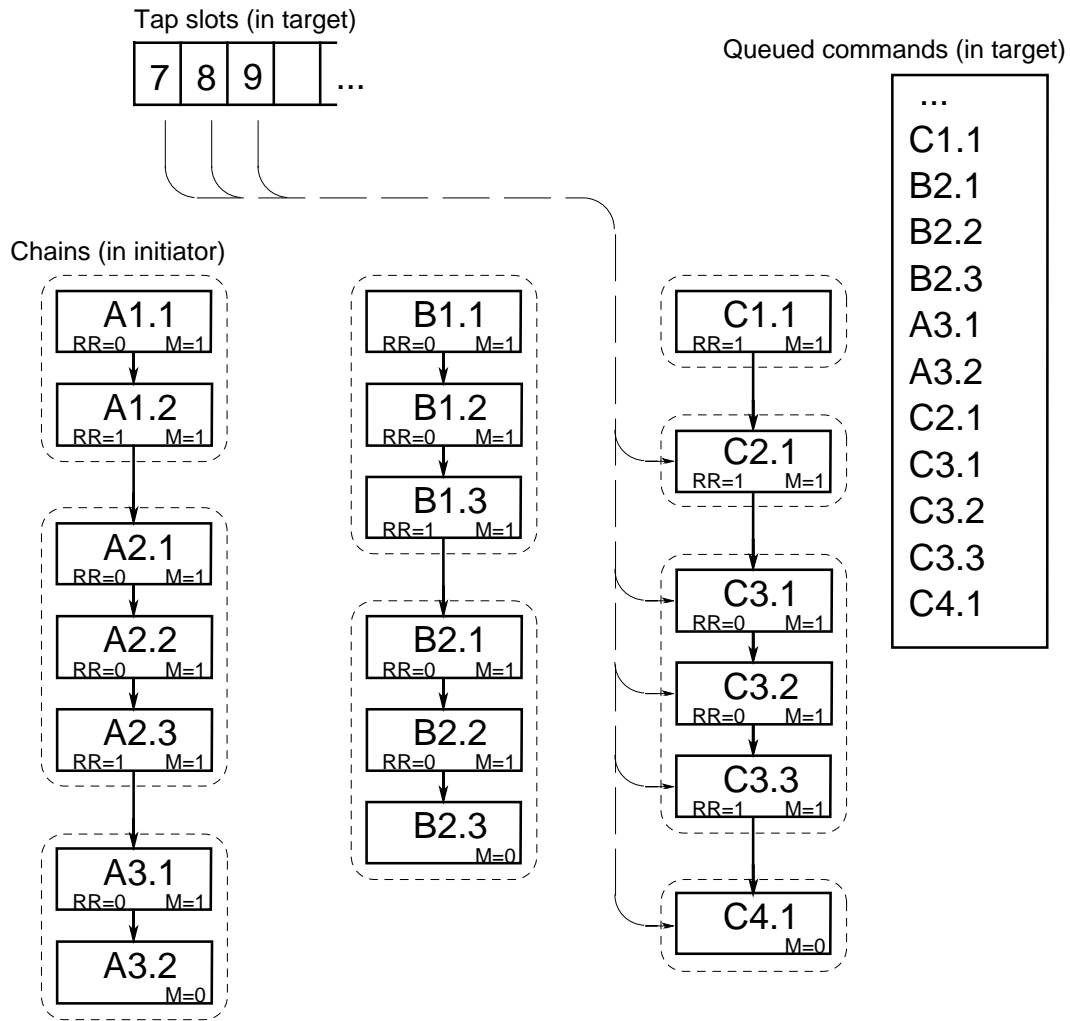
Fetch B1.1, B1.2, B1.3

Fetch A2.1, A2.2, A2.3

Fetch C1.1

Fetch B2.1, B2.2, B2.3

Fetch A3.1, A3.2



Initiator: Target:

Tap A, B

Tap C

- Fetch A1.1, A1.2
- Fetch B1.1, B1.2, B1.3
- Fetch A2.1, A2.2, A2.3
- Fetch C1.1
- Fetch B2.1, B2.2, B2.3
- Fetch A3.1, A3.2
- Fetch C2.1
- Fetch C3.1, C3.2, C3.3
- Fetch C4.1