

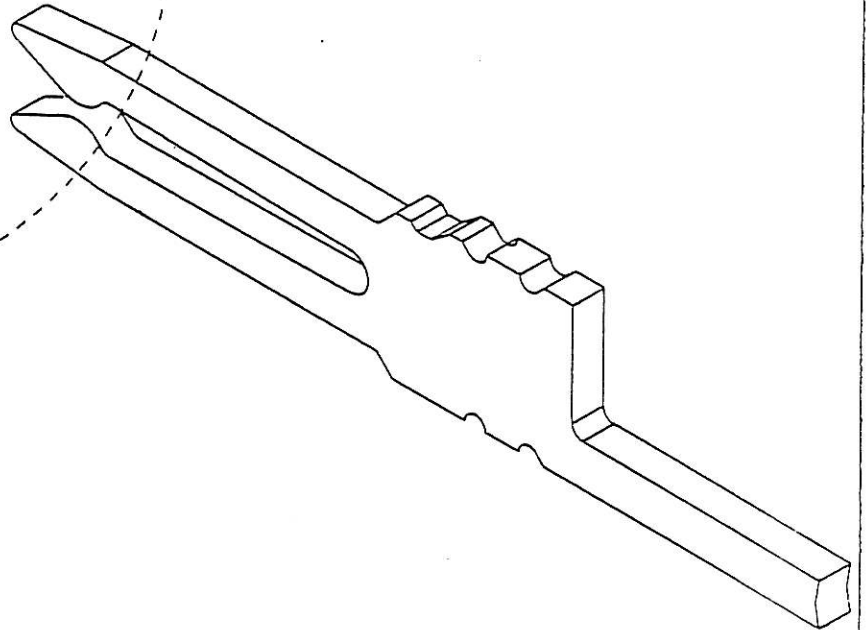
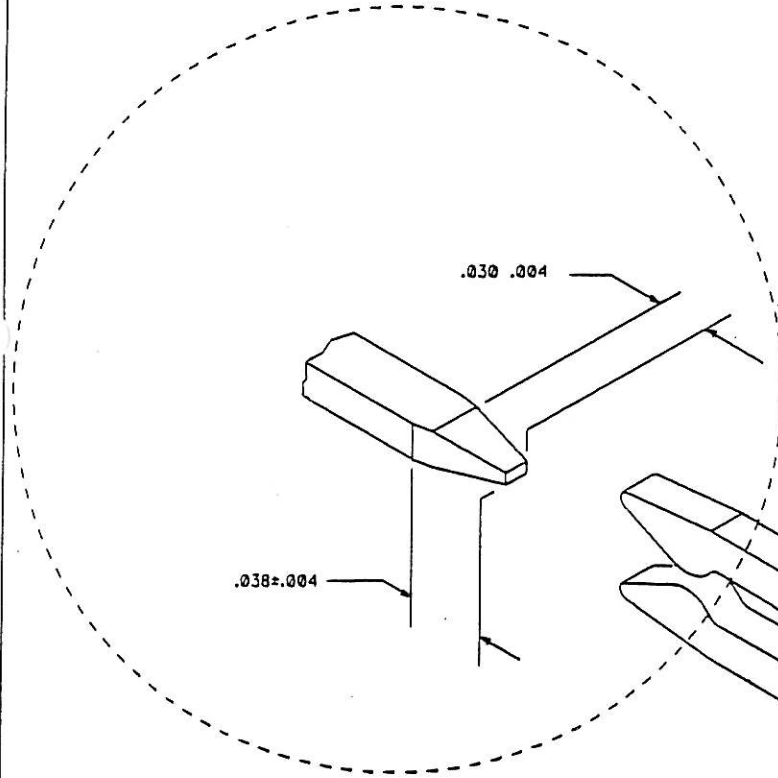
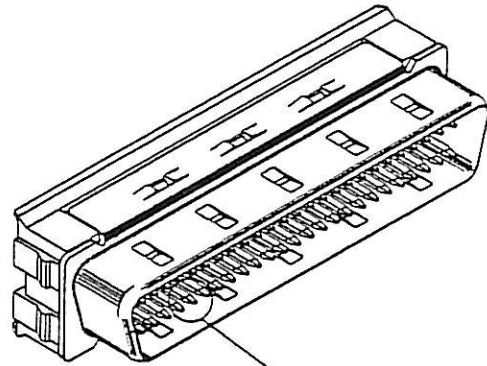
Moley Proposal
Jim McGrath

X3T9.2/92-48

PIN CHAMFER PROPOSAL

SCSI-3 WORKING GROUP X3T9

3-12-92



TUNING FORK

3° PIN ROTATION

PIN

.0016±.0004

.035 R.

.045 R.

.055 R.

IBM PROPOSAL
COIN ON MALE PIN

TUNING FORK

PIN

3° PIN ROTATION

.0016±.0002

.050 R.

.040 R.

.045 R.

IBM PROPOSAL
COIN ON MALE PIN