

X379.2/88-033



American National Standards Institute, Inc. 1430 Broadway, New York, N.Y. 10017 (212) 688-1220

Cable: Standards, New York International Telex: 42 42 96 ANSII UI

STATEMENT OF PATENT HOLDER CONCERNING THE USE OF PATENTED DEVICE OR DESIGN IN CONJUNCTION WITH AN AMERICAN NATIONAL STANDARD

Note: This form is to be used to record the statement of a patent holder whose patented device or design (pending or approved) may have to be used by a person or organization complying with an American National Standard. This statement is filed and retained pursuant to Section 2.4 of the American National Standards Institute Procedures for Management and Coordination of American National Standards.

1. Name of Patent Holder: AMP

Address: P.O. Box 3608

HARRIBURG, PA. Telephone: 717 780011

Contact: Charles Brill MANAGER
(Name) (Title)

2. Number and Description of Patent(s) (use extra sheet if necessary)

Patent Number(s): _____
(Attach copy of patent application)

Description: AMPLIMITE .050 SERIES CONNECTOR

List Claims Pertinent to Compliance with Standard: _____

none

Date of Expiration: _____

Pending Approved (check one)

If Pending, indicate date of application: _____

If Patent Holder is a transferee of original claimant, attach the transfer agreement.

3. Name of Proposed ANSI Standard: SMALL COMPUTER

SYSTEM INTERFACE II

List sections of standard to which patent claims relate: _____

CONNECTOR INTERFACE

4. Terms and Conditions of License

Are there any licensees NO If so, how many _____
Please attach a copy of license agreement, if any.

5. Statement of Patent Holder

Please check one of the following statements:

- (a) A license shall be made available without compensation to applicants desiring to utilize the license for the purpose of implementing the standard or, (check one)
- (b) A license shall be made available to applicants under reasonable terms and conditions that are demonstrably free of any unfair discrimination.
- (c) An assurance of non-assertion will be filed with the Patent Office by the effective date of ANSI approval of the listed standard.

Signed: Charles Brill MANAGER
(Name) (Title)

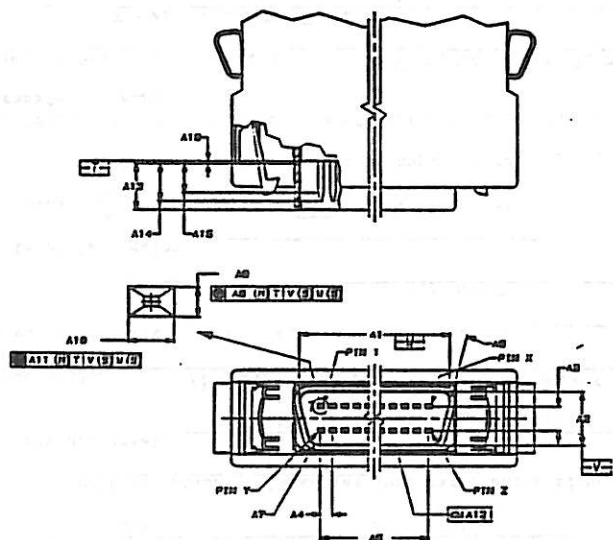
Company: AMP INC.

Date: 2/22/88

There are no patents on the Amplimite .050 Series interesting dimensions ply + receptacle as attached.

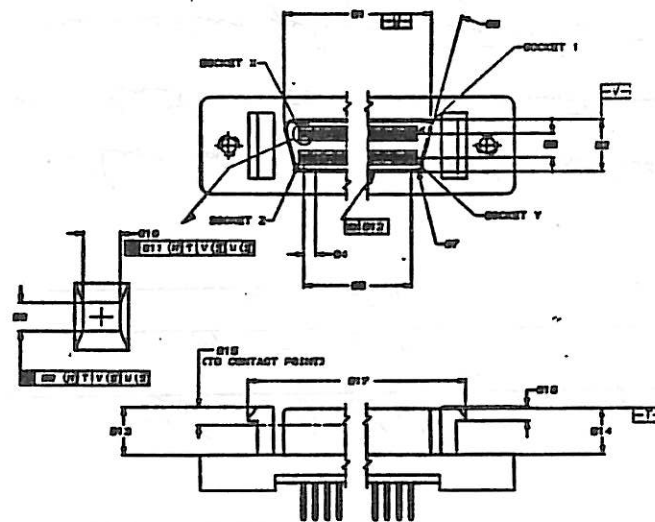
103

PLUG (CABLE VERSION)



DIMENSIONS	NO POSITION		NO POSITION	
	MILLIMETERS	INCHES	MILLIMETERS	INCHES
A1	32.25	1.270	41.25	1.622
A2	5.25	0.207	5.25	0.207
A3	7.25	0.285	7.25	0.285
A4	1.77	0.069	1.77	0.069
A5	30.4	1.200	30.4	1.200
A6	19.4	0.764	19.4	0.764
A7	1.04	0.041	1.04	0.041
A8	0.254, 0.10, 0.152, 0.004	0.010, 0.004, 0.006, 0.10	0.254, 0.10, 0.152, 0.004	0.010, 0.004, 0.006, 0.10
A9	0.25	0.009	0.25	0.009
A10	0.218, 0.3	0.024, 0.01	0.218, 0.3	0.024, 0.01
A11	0.25	0.009	0.25	0.009
A12	0.28	0.022	0.28	0.022
A13	0.204, 1.0	0.008, 0.039	0.204, 1.0	0.008, 0.039
A14	4.27 MAX	0.168 MAX	4.27 MAX	0.168 MAX
A15	1.24 MIN	0.049 MIN	1.24 MIN	0.049 MIN
A16	0.25, 1.3	0.009, 0.051	0.25, 1.3	0.009, 0.051
PIN 1	30		30	
PIN 2	29		31	
PIN 3	28		32	

RECEPTACLE (BOARD VERSION)



DIMENSIONS	NO POSITION		NO POSITION	
	MILLIMETERS	INCHES	MILLIMETERS	INCHES
B1	4.25	0.167	4.25	0.167
B2	7.25	0.285	7.25	0.285
B3	7.25	0.285	7.25	0.285
B4	1.77	0.069	1.77	0.069
B5	30.4	1.200	30.4	1.200
B6	19.4	0.764	19.4	0.764
B7	1.04	0.041	1.04	0.041
B8	0.218, 0.3	0.024, 0.01	0.218, 0.3	0.024, 0.01
B9	0.25	0.009	0.25	0.009
B10	0.218, 1.0	0.024, 0.039	0.218, 1.0	0.024, 0.039
B11	0.25	0.009	0.25	0.009
B12	0.28	0.022	0.28	0.022
B13	0.204, 0.8	0.008, 0.031	0.204, 0.8	0.008, 0.031
B14	0.204, 1.2	0.008, 0.047	0.204, 1.2	0.008, 0.047
B15	1.27 MAX	0.050 MAX	1.27 MAX	0.050 MAX
B16	1.24 MIN	0.049 MIN	1.24 MIN	0.049 MIN
B17	0.25, 1.3	0.009, 0.051	0.25, 1.3	0.009, 0.051
SOCKET Y	30		30	
SOCKET V	29		31	
SOCKET Z	28		32	

101