

From: Wally Bridgewater (Adaptec)
To: X3T10 Membership
Subject: Proposed Change for Setup Time Budget
Date: 12/16/95

Sources for differential offset

Biggest

Can still be there on 1st or 2nd cycle even if a circuit to remove it has just kicked in?
Some other proposed terminations always has a built in offset

minor

Resistor tolerance

Output current tolerance

Cable impedance tolerance

Receiver input offset voltage

Any others?

Alternatives

Increase setup time

--> fairly easy

Use a correlated double sampler type receiver

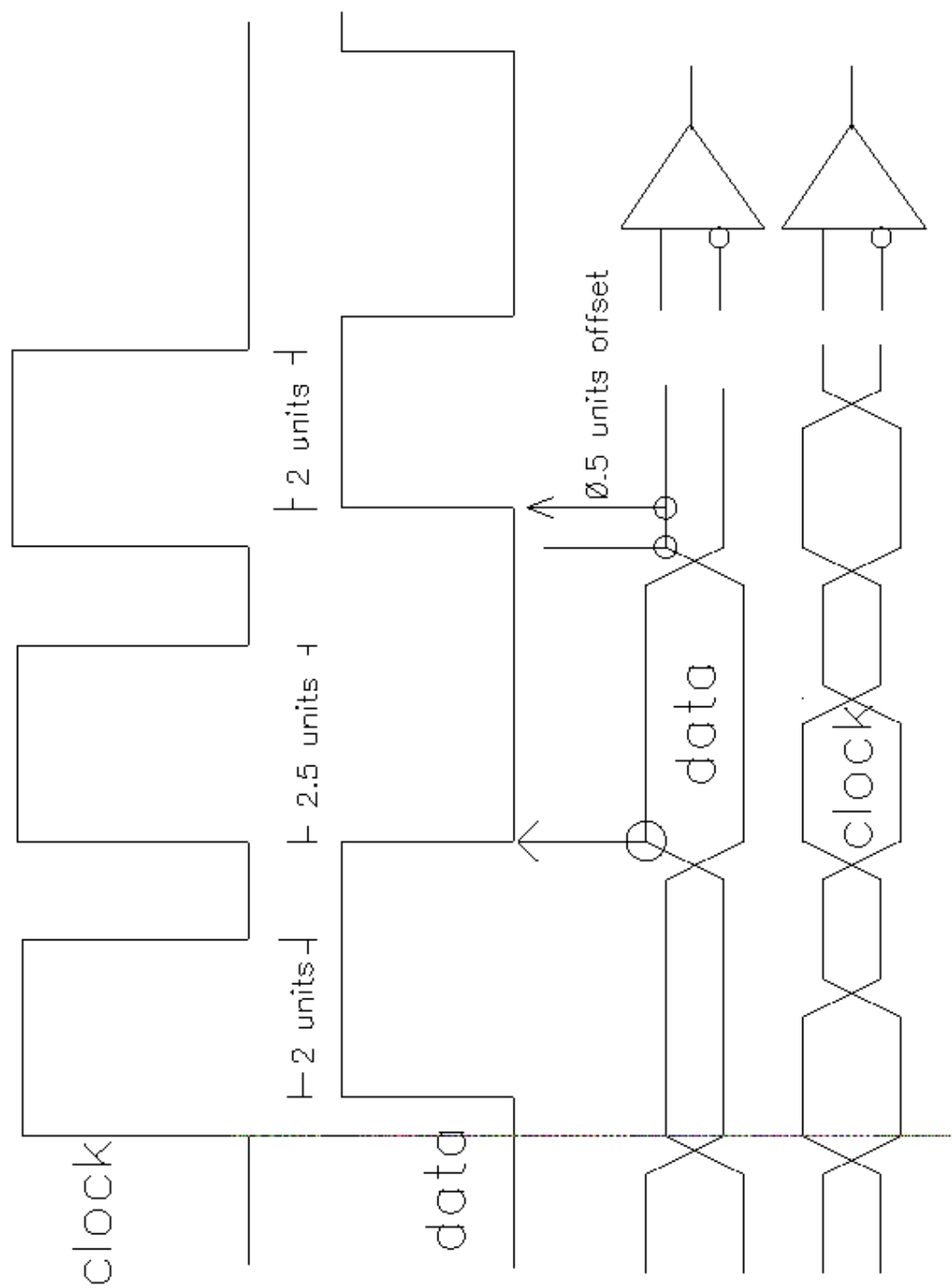
--> much more difficult than less setup time

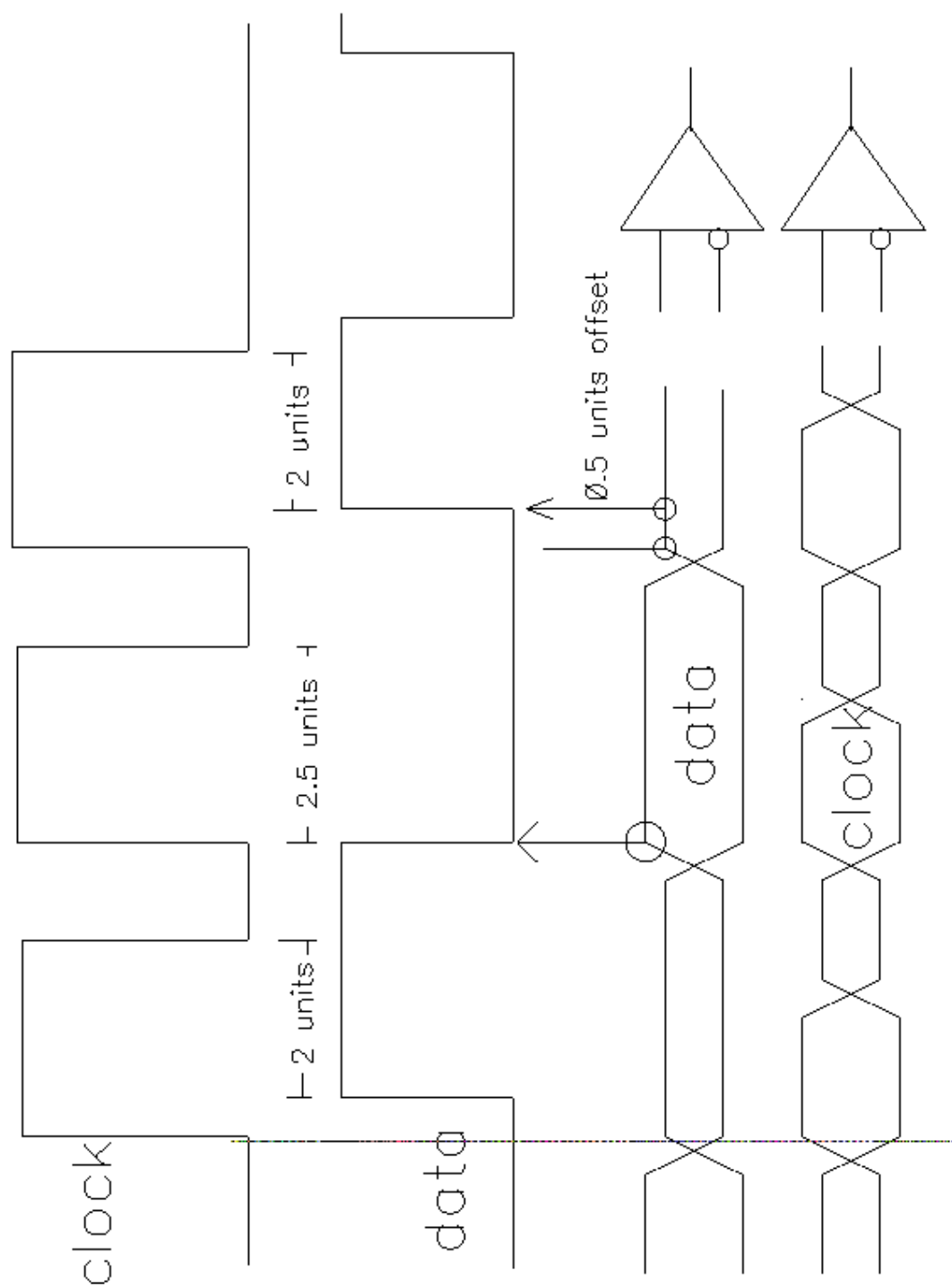
Eliminate the 100mV offset on Data, Ack, &REQ

--> don't think this would work?

Try new configuration using voltage driven outputs

--> would you like to see an idea?





Could work down to 1 volt supplies,
0.1 micron technology

