

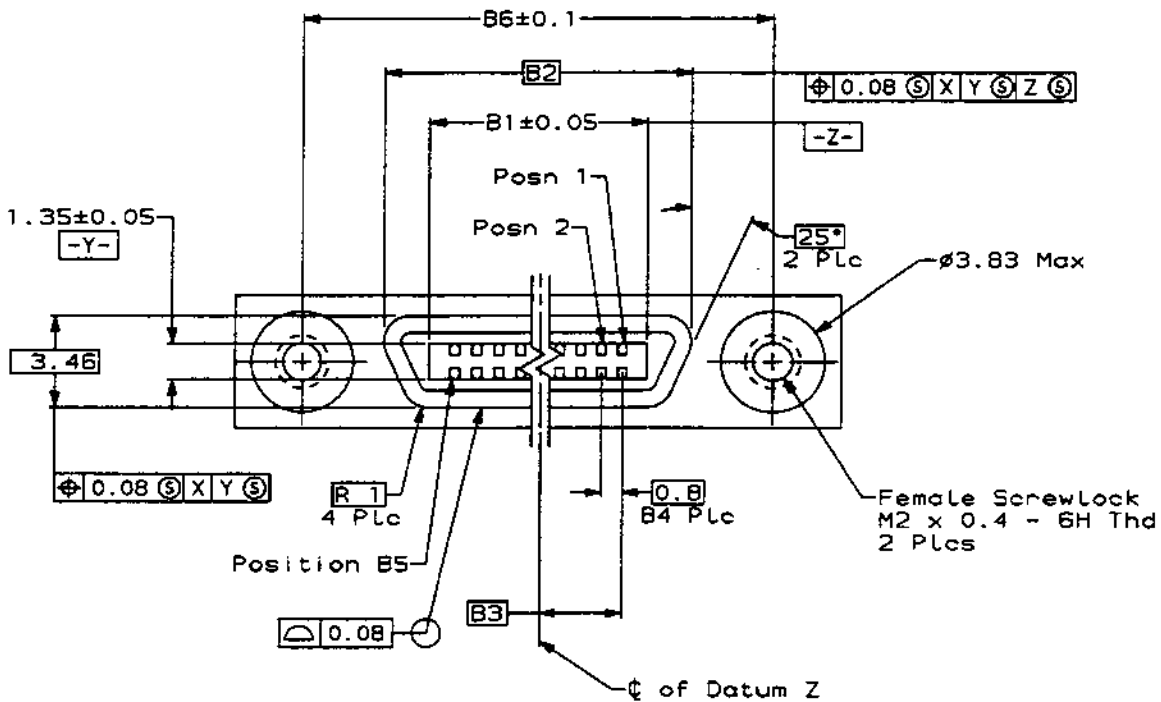
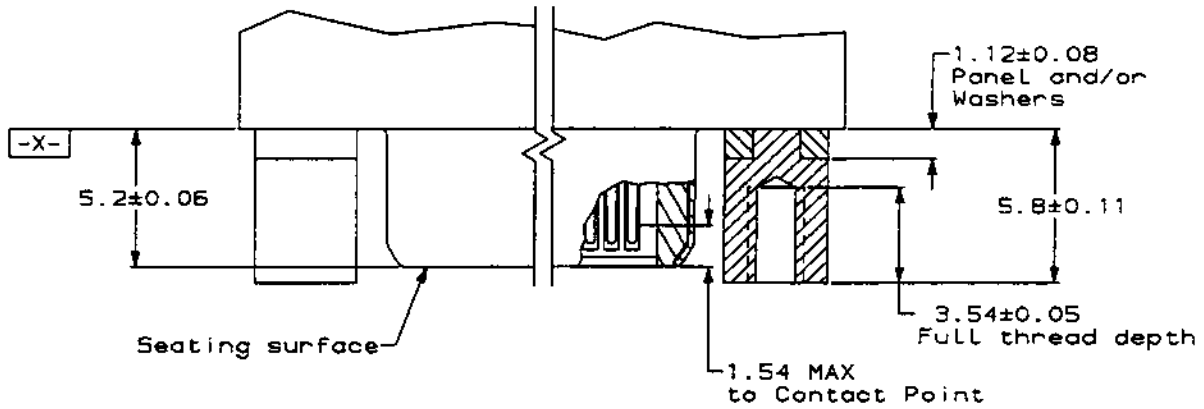
TO: X3T10

X3T10/94-160 R0

AMP INCORPORATED
04/05/94
SCALE 6:1
REVISION 0

FR: R. WHITMAN

RE: .8 mm CHAMP Connectors



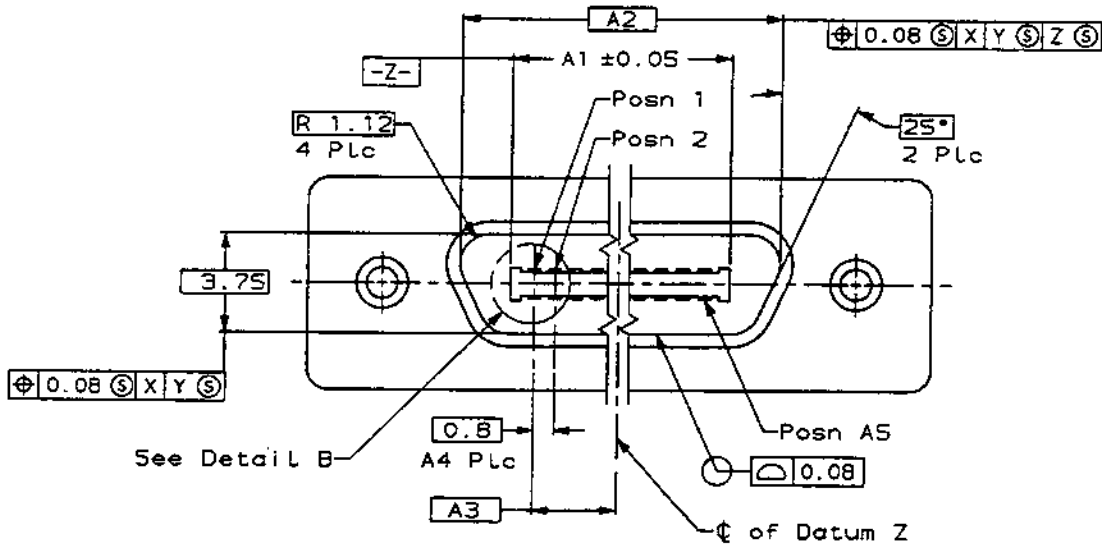
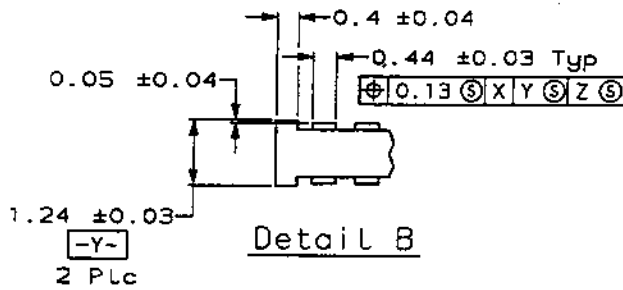
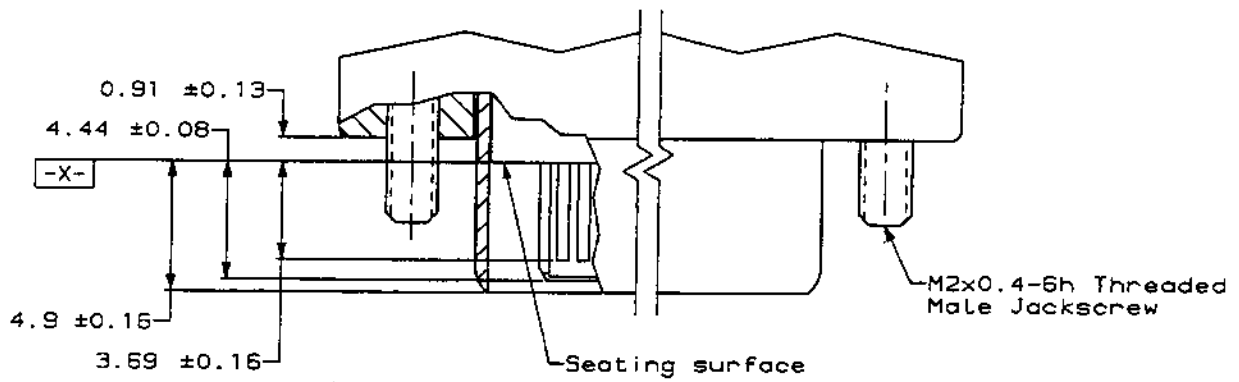
Dimensions	50 Position	68 Position
B1	21.1	28.3
B2	24.45	31.65
B3	9.6	13.2
B4	24	33
B5	50	68
B6	30.5	37.7

Notes:
1. Dimensions in millimeters

DEVICE

223

1



Dimensions	50 Position	68 Position
A1	21	28.2
A2	24.75	31.95
A3	9.6	13.2
A4	24	33
A5	50	68

Notes:
 1. Dimensions in millimeters.