

To: T10 Technical Committee
From: Dan Crain and Kevin Marks - Dell, Inc.
Date: October 19, 2005
Subject: T10/05-393r0 - SAS-2 Channel Model (4 boards / 3 mated connectors)

Revision History

Revision 0 (10/19/05) - Initial Model Submission

Related Documents

T10/05-393r0.zip – touchtone files

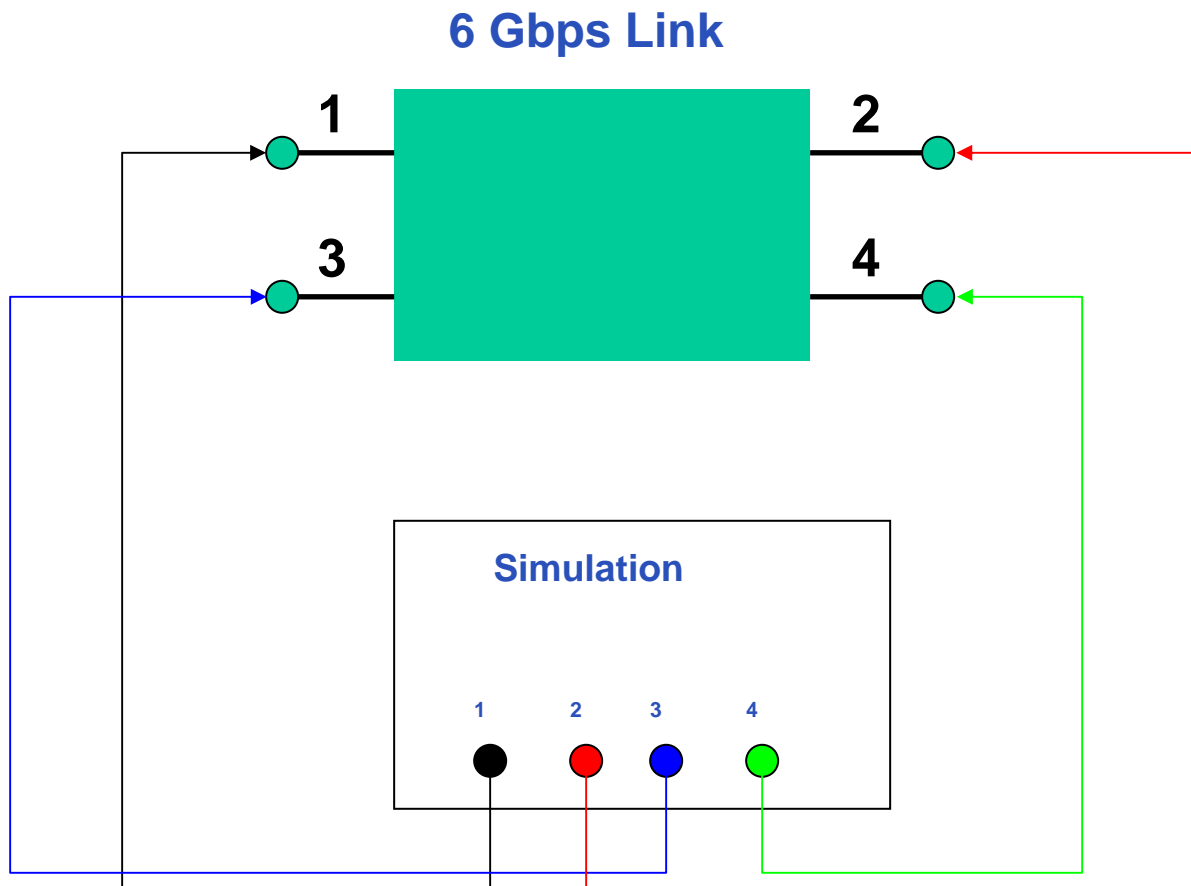
Legal Notice

The touchtone files that Dell is providing to the T10 Technical Committee are being provided “as is”, and may include errors, etc. Dell may or may not fix any identified errors if found.

Overview

Provide T10 with a sample of an expected SAS 6 Gb/s environment. The referenced touchtone files consist of a 4 board / 3 mated connector environment with a total of 8 or 19 inches trace on FR-4. Two of the mated connectors are high-density pad grid array type connectors and the other is a micro high speed Q Pair type connector.

Simulation setup



S-parameters

- The S-parameter is in Touchstone file with Magnitude & Angle information from DC to 20 GHz.
- The S-parameter file consists of 4ports and the S-parameters were extracted using Simulations tools.