

ENDL TEXAS

Date: 18 July 2002
To: T10 Technical Committee
From: Ralph O. Weber
Subject: Rewrite of SAM-2 example for dependent logical units to remove SCC-isms

SAM-2 letter ballot comments (see 02-155r2) Cisco 10), Compaq 21), Exabyte 37), Exabyte 38), HP 61), and Maxtor 45) all raise issues regarding figure 23 (SAM-2 r23 PDF page 60) and the description of it. This proposal changes figure 23 and rewrites the text describing it in accordance with the current responses to these comments. The intent of this proposal is to allow CAP to review the result of the rewrite without having to pick through the comments responses.

Many changes are made repeatedly throughout the text. To increase readability, the existing text with strikeouts is shown only for the first occurrence of the change.

In r1, the word "Domain" has been added to the top to connection lines in the figure. No other changes have been made in r1.

As shown in figure 1, The hierarchical logical unit structure is an inverted tree containing up to four addressable levels. The example in figure 1 is a three-level system that consists of:

- a) One SCSI initiator device that has three SCSI target devices attached on in a single SCSI bus domain that is not expandable unable to add more SCSI target devices. One of the SCSI target devices is a dual ported SCSI bridge controller the level 1 SDDLU. The level 1 SDDLU has two SCSI target ports, one in each of the SCSI domains containing a SCSI initiator device-;
- b) One SCSI initiator device has three SCSI target devices attached in a single SCSI domain that is expandable able to add more SCSI target devices. One of the SCSI target devices contains is a dual ported SCSI bridge controller the level 1 SDDLU;
- c) The level 1 SDDLU has three SCSI domains (called buses for hierarchical addressing purposes) with SCSI target devices attached and is capable of driving connecting more SCSI domains;
 - A) Two of the SCSI domains contain two SCSI target devices each and these SCSI domains are unable to add more SCSI target devices. One of the SCSI target devices is the level 2 SDDLU;
 - B) One of the SCSI domains contains two SCSI target devices and is able to add more SCSI target devices;
- C) The level 2 SDDLU has three SCSI domains with SCSI target devices attached and is capable of connecting more SCSI domains;
 - a) Two of the SCSI domains contain two SCSI target devices each and these SCSI domains are unable to add more SCSI target devices; and
 - b) One of the SCSI domains contains two SCSI target devices and is able to add more SCSI target devices.

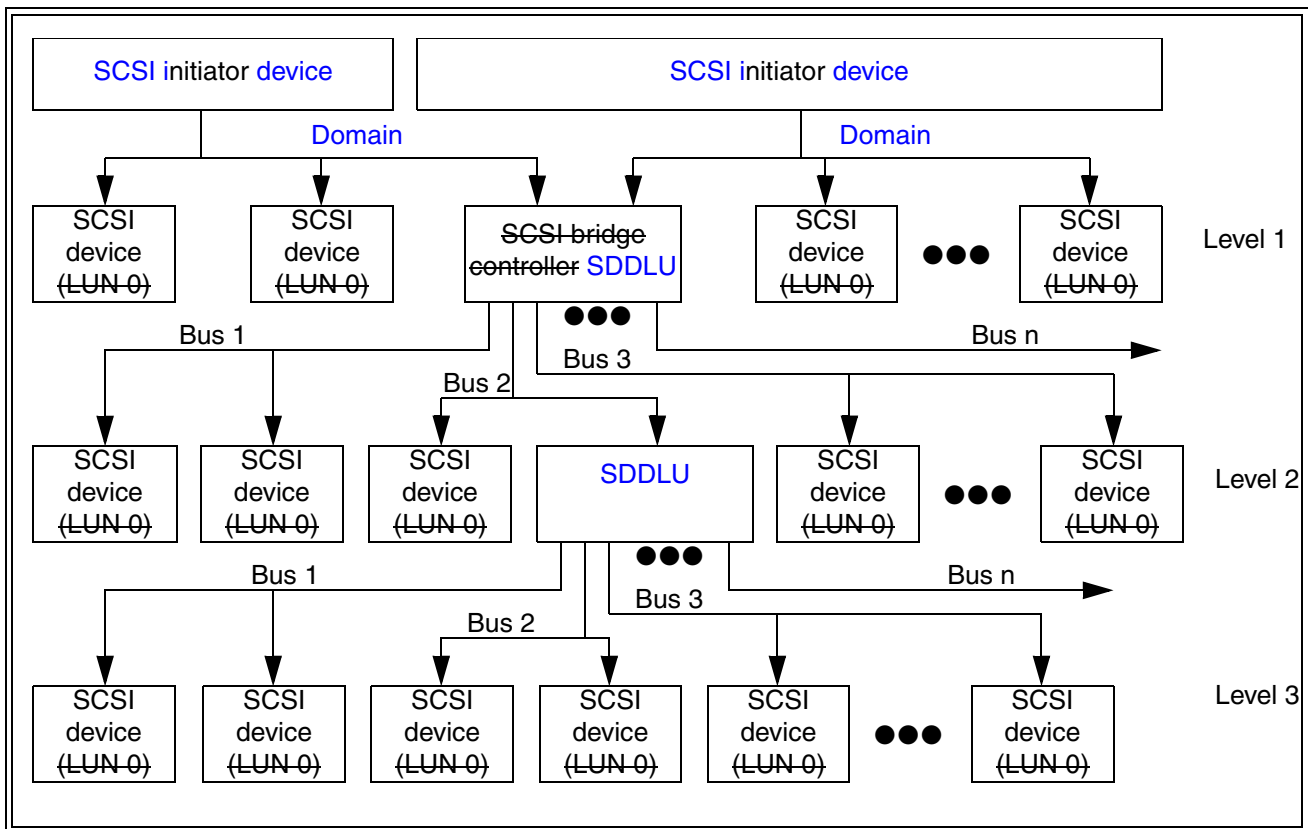


Figure 1 — Example of hierarchical system diagram