

**T10/02-216 revision 1**

Date: June 19, 2002

To: T10 Committee (SCSI)

From: George Penokie (IBM/Tivoli)

Subject: T10/02-216 SAS SMP transport layer state diagrams

## **1 SMP transport layer state diagrams**

### **1.1 SMP transport layer state diagrams for an application client**

#### **1.1.1 SMP transport layer state diagrams for an application client overview**

Figure xx describes the SMP transport layer state machine for an application client.

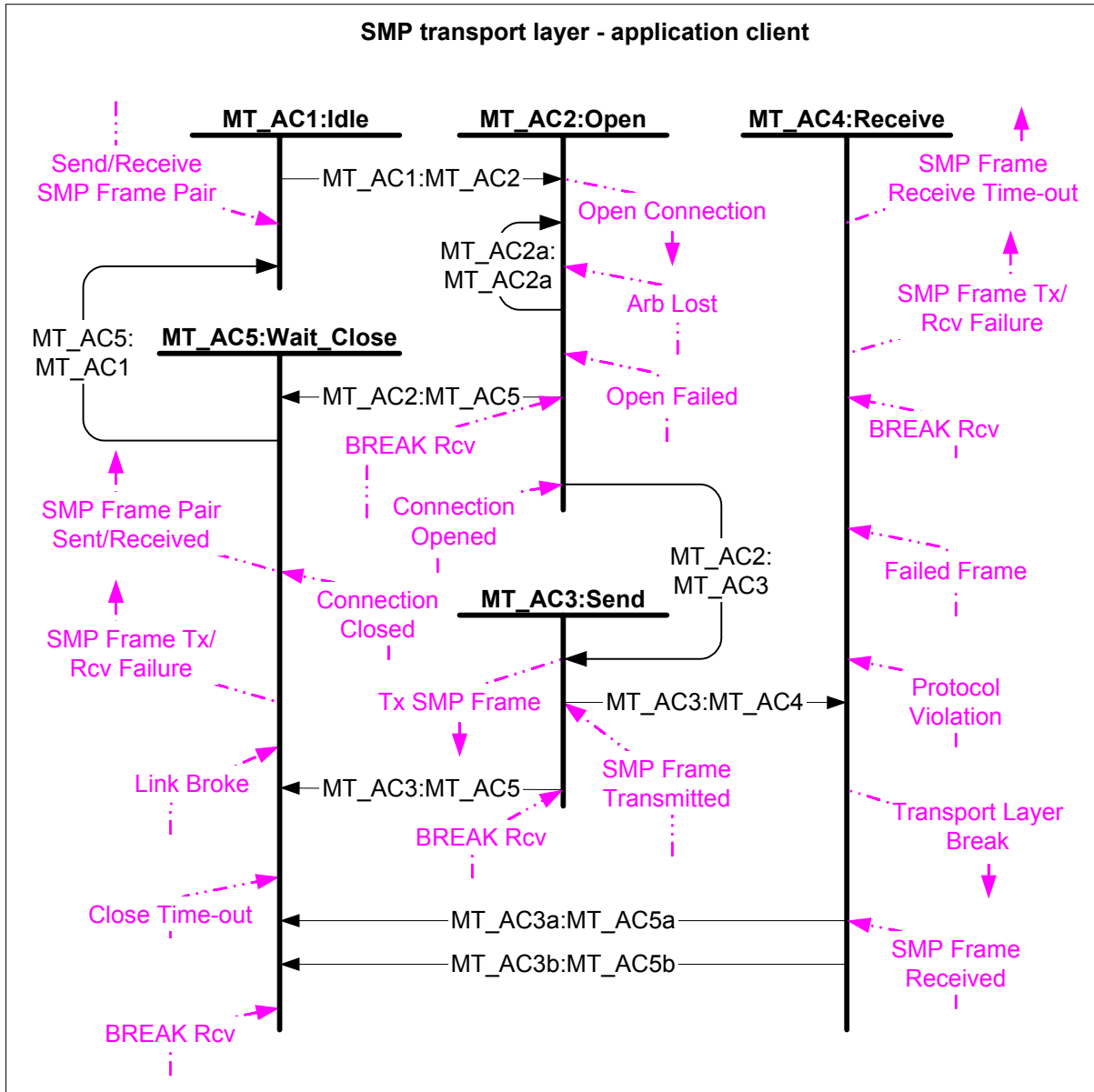
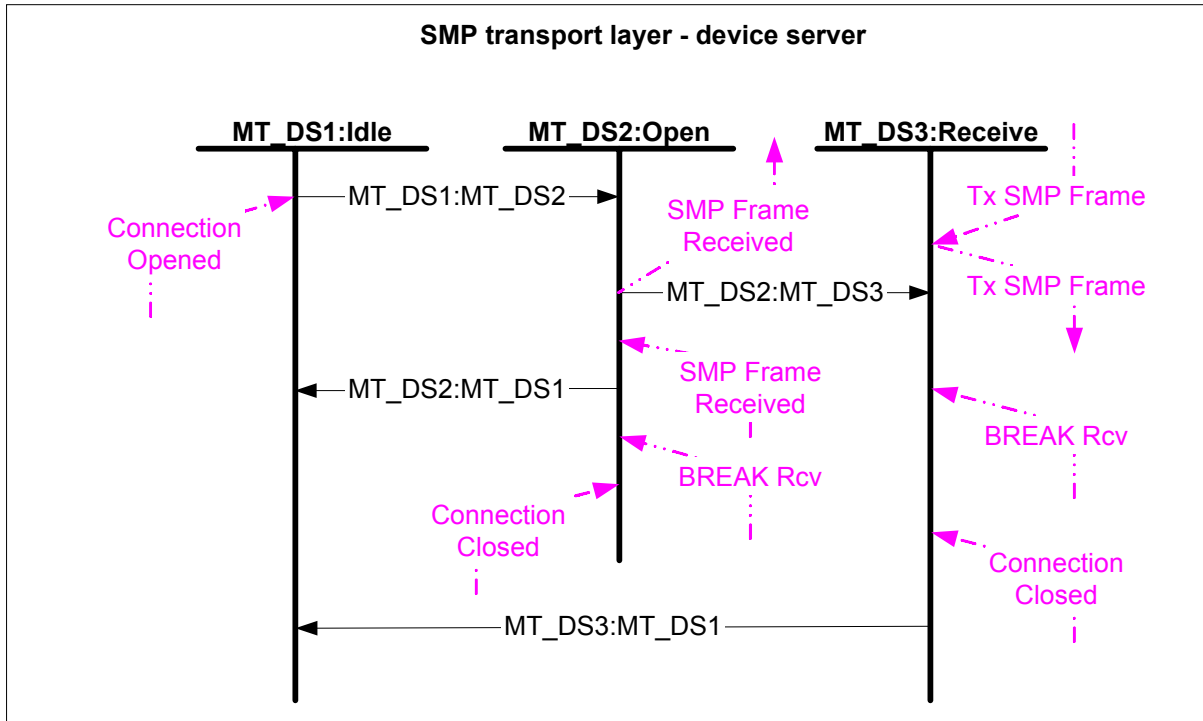


Figure 1 - SMP Transport Layer for Application Client

## 1.2 SMP transport layer state diagrams for a device server

### 1.2.1 SMP transport layer state diagrams for a device server overview

Figure xx describes the SMP transport layer state machine for a device server.



**Figure 2 - SMP Transport Layer for Device Server**