

External SAS cable connector proposal to be included in an SFF full proposal document. Connectors are based on the SFF 8470 (Infiniband) design

Cable connections shall be made per the table below:

**Pin Assignments for 1X, 2X, 3X and 4X Applications**

	<b>1x</b>	<b>2x</b>	<b>3x</b>	<b>4x</b>
T1+	S1	S1	S1	S1
T1-	S2	S2	S2	S2
R1+	S3	S3	S3	S3
R1-	S4	S4	S4	S4
T3+	-	-	S5	S5
T3-	-	-	S6	S6
R3+	-	-	S7	S7
R3-	-	-	S8	S8
T4+	-	-		S9
T4-	-	-		S10
R4+	-	-		S11
R4-	-	-		S12
T2+	-	S13	S13	S13
T2-	-	S14	S14	S14
R2+	-	S15	S15	S15
R2-	-	S16	S16	S16

Drawings:

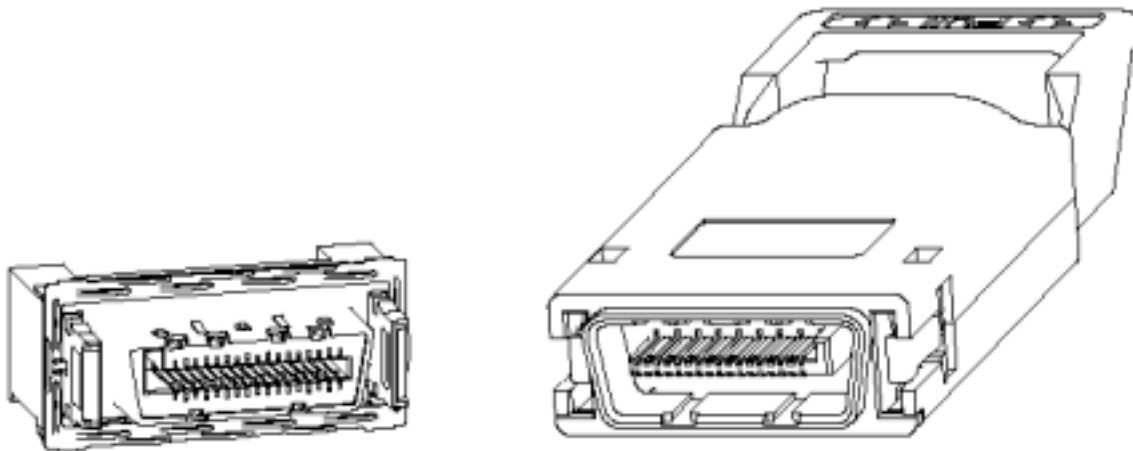


FIGURE 1-GENERAL VIEW OF MATING SIDES

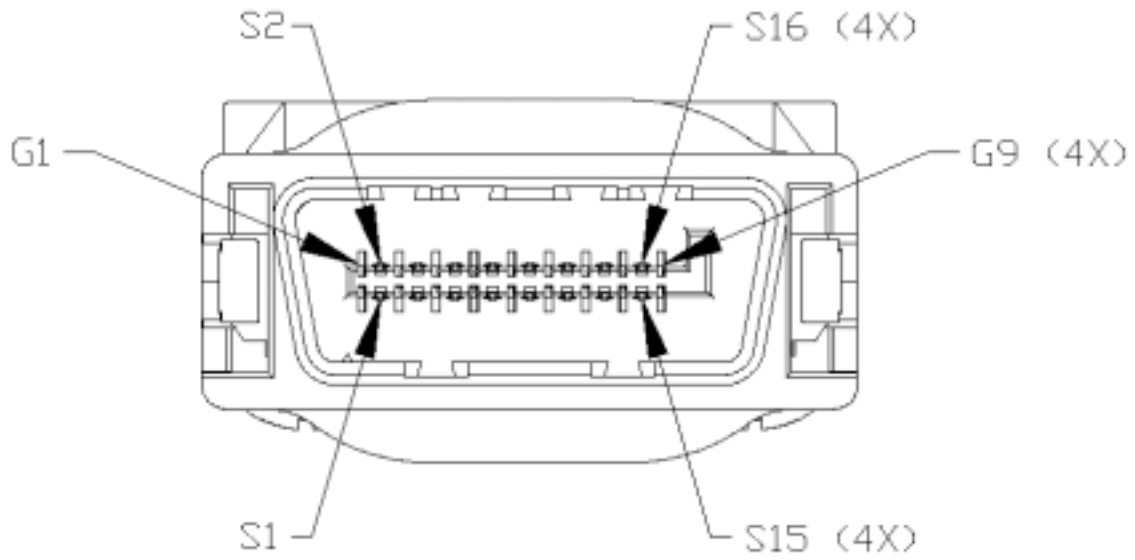
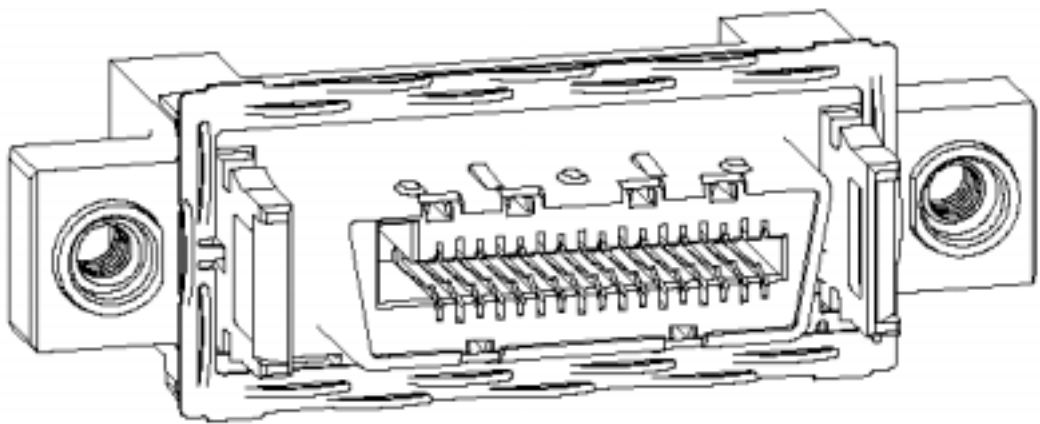


FIGURE 2-PLUG (MALE) CONDUCTOR PIN ASSIGNMENTS



RECEPTACLE WITH MOUNTING TABS

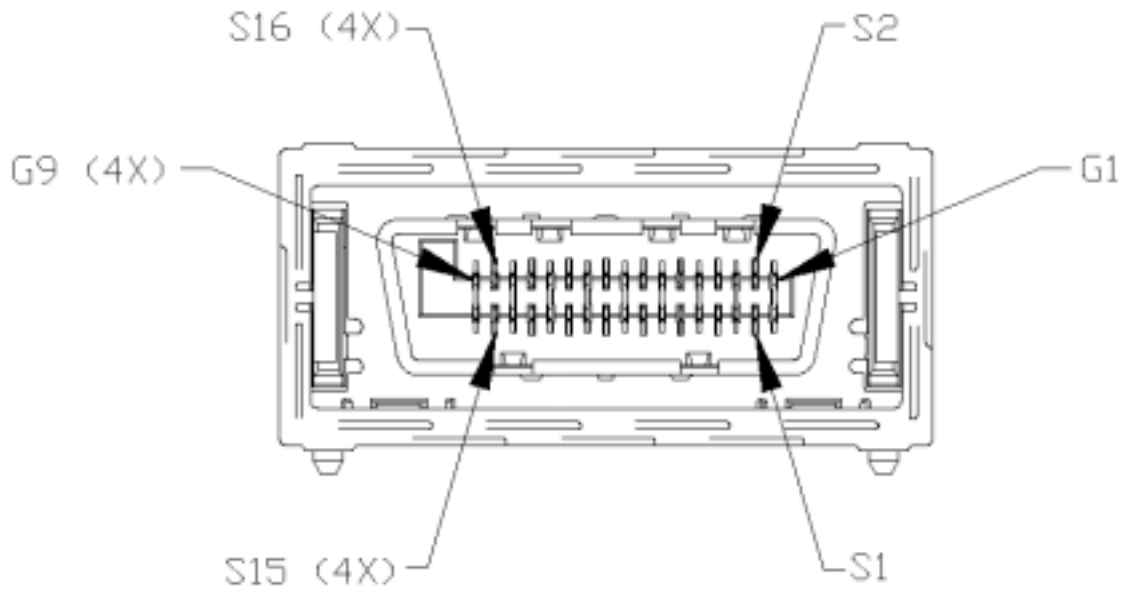


FIGURE 4-RECEPTACLE CONNECTOR PIN ASSIGNMENTS

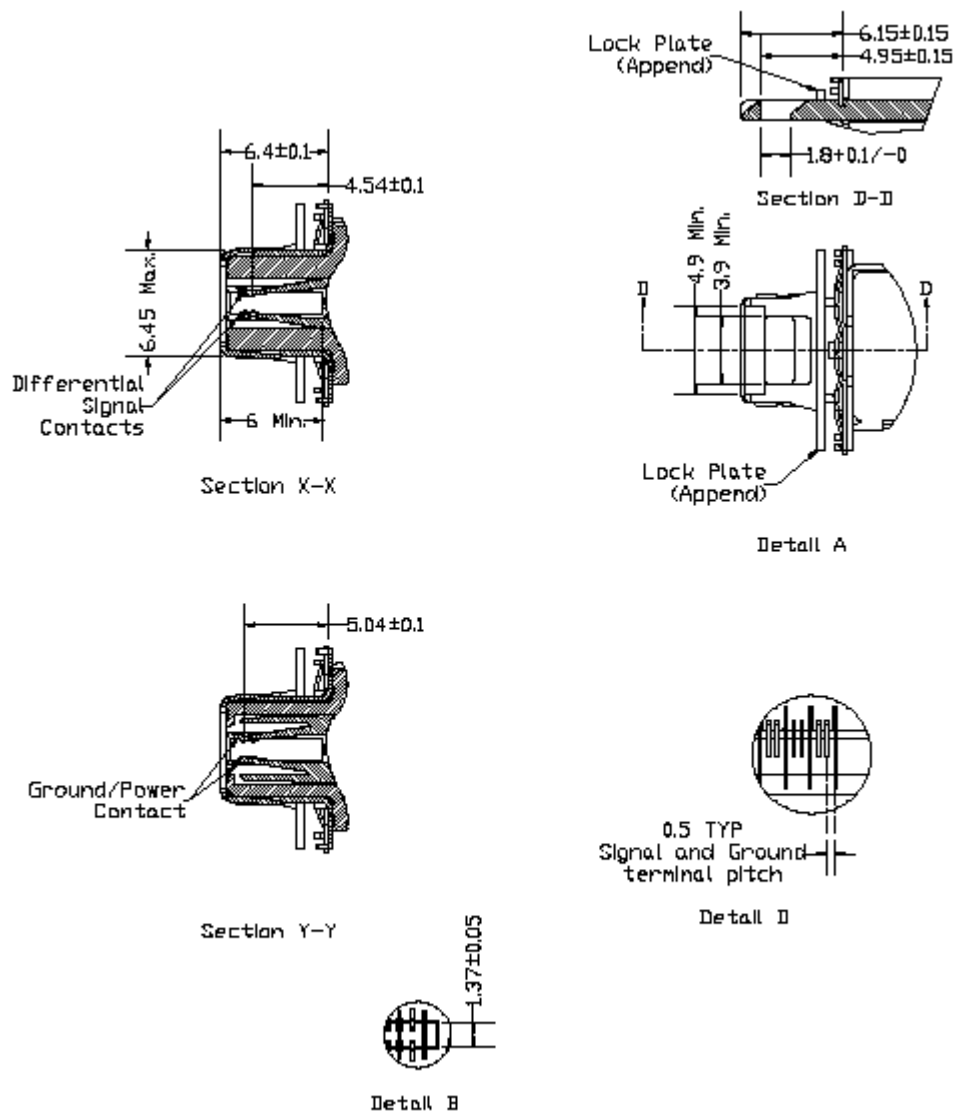


Figure 5-Receptacle connector dimensions

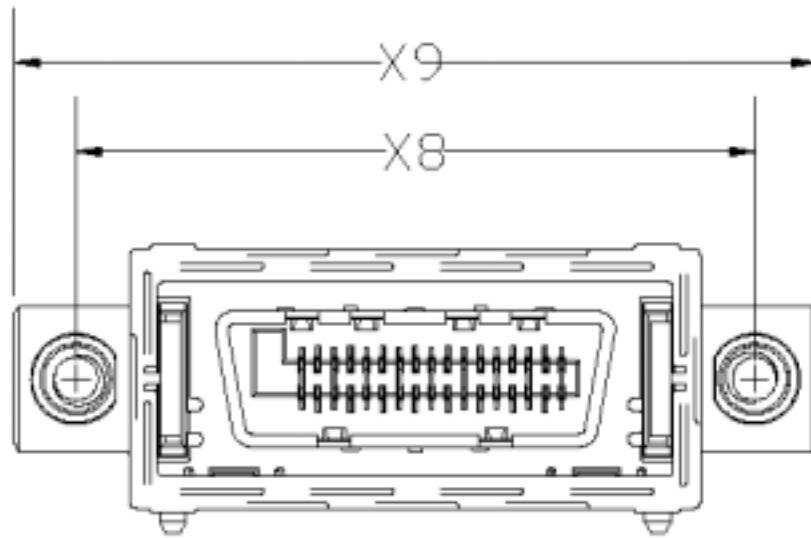
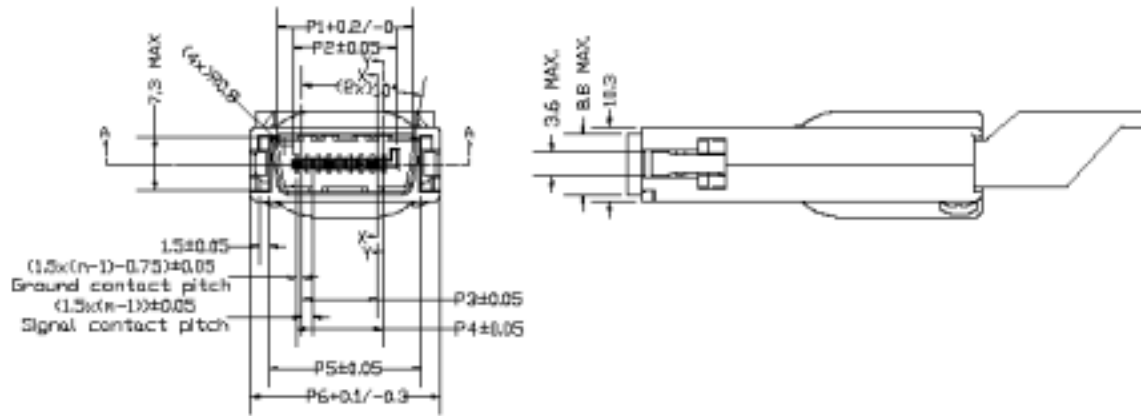


Table XX-Dimension table of Receptacle connector w/mounting tabs

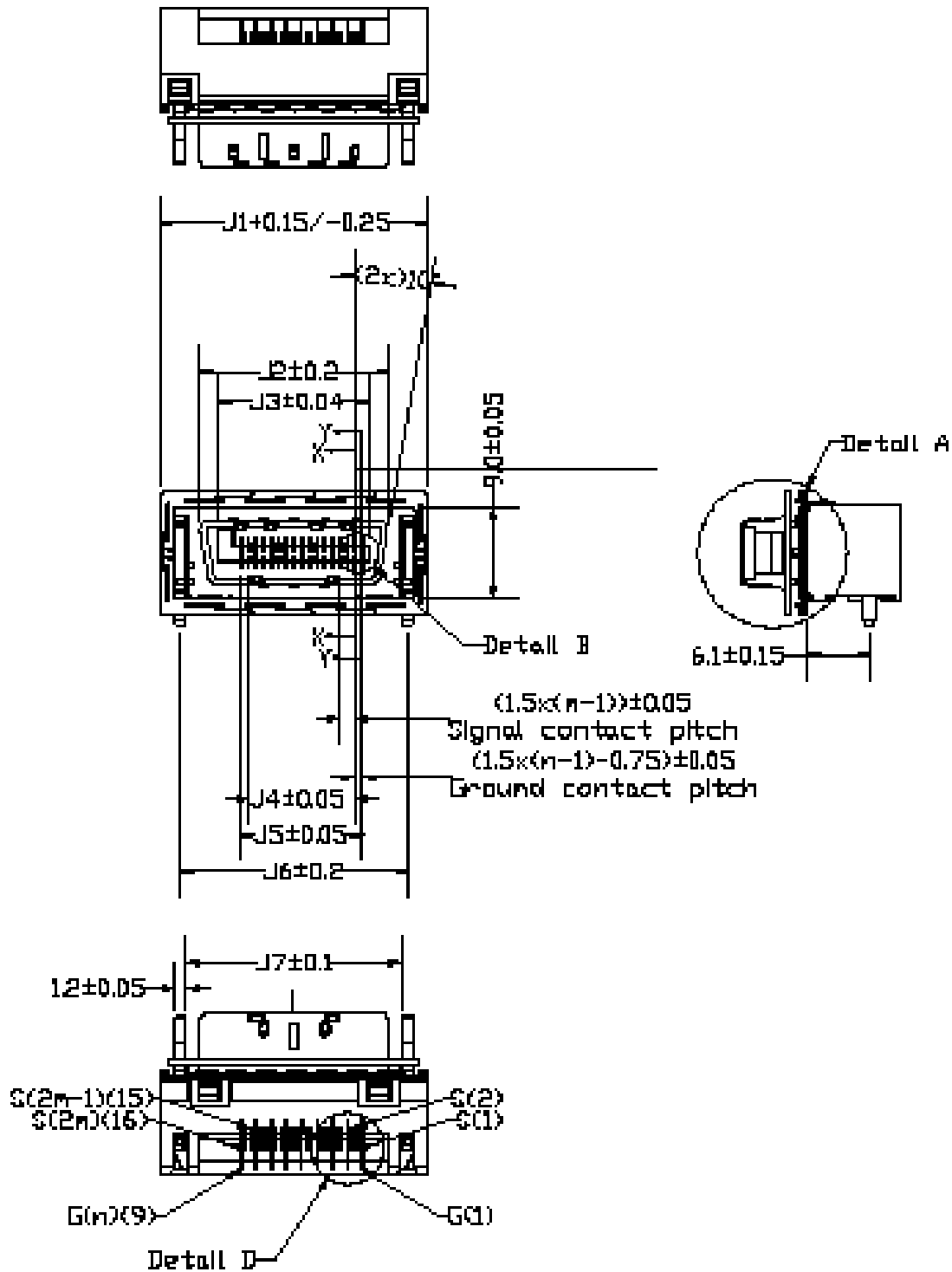
TYPE	X8	X9
4X	31.35	37.05



NOTE-Each dimension is indicated in Table 9.  
 Figure 3-Plug (male) connector dimensions

Table 9-Dimension table of Plug (male) connector

TYPE	n	n	P1	P2	P3	P4	P5	P6
4X	1-6	1-5	10.8	14.2	10.5	12.0	21	26.3



NOTE—Each dimension is indicated in Table 10.  
Figure 5—Receptacle connector dimensions

Table 10—Dimension table of Receptacle connector

TYPE	m	n	J1	J2	J3	J4	J5	J6	J7
4X	1-8	1-9	26.35	18.55	14.92	10.5	12.0	22.4	22.7

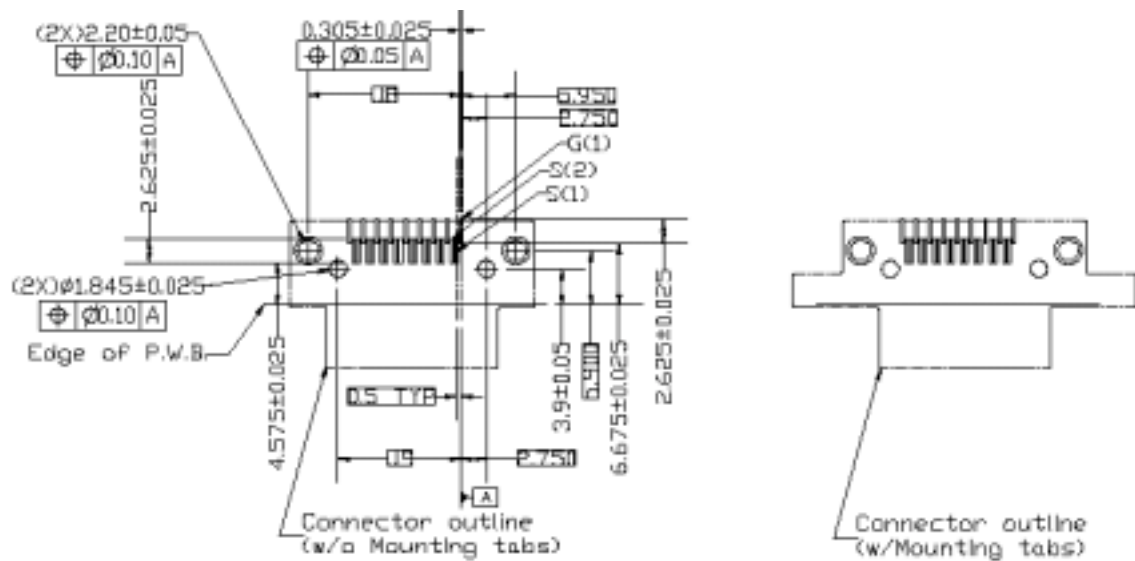
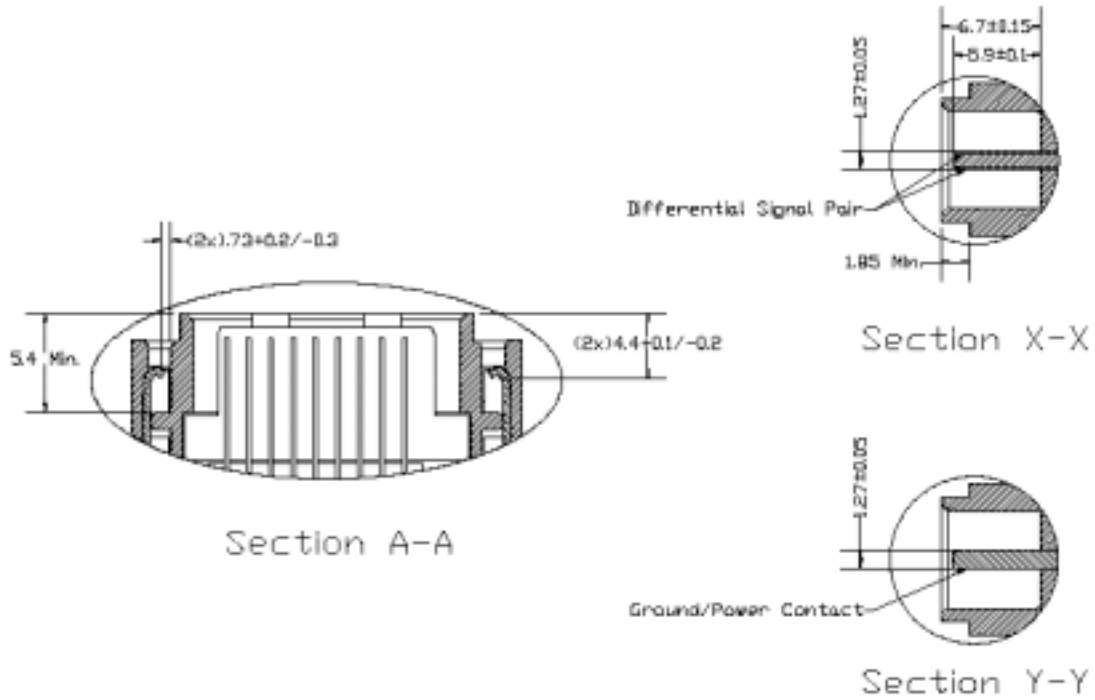


Table 11-Dimension table of Receptacle footprint

TYPE	m	n	J8	J9
4X	1-8	1-9	16.45	13.25