

1.1 Loader/Library Controller Interface

The loader connector (for library tape drive interface) is an RS-422 serial port set to 9600 baud, 8 bits per character, no parity, and 2 stop bits. All data sent to or from the library tape drive interface consists of bit-wise encoded hex values.

This 8-pin optional loader connector provides signals to be used when the tape drive is part of a loader/library configuration. The loader connector provides a “universal port” that can support various serial interface protocols. The electrical signals from the SDLT drive need to be translated to the appropriate serial interface protocol by a hardware and software interface system.

The Molex part numbers for this connector are:

- Connector terminals: 50394-8052
- Connector body: 51110-0850

Figure 1-1 shows a representation of the connector; pin assignments for the loader connector are listed in Table 1-1.

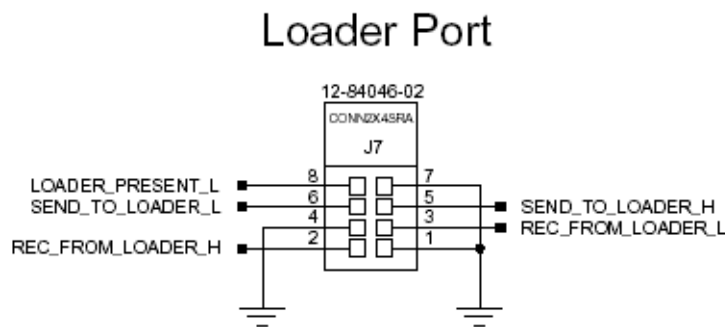


Figure 1-1. Loader Connector
(Internal Version Shown)

Table 1-1. 8-Pin Loader Connector Pin Assignments

| Signal Name | Pin Number | Pin Number | Signal Name |
|-------------------|------------|------------|------------------|
| Ground | 1 | 5 | SEND_TO_LOADER_H |
| REC_FROM_LOADER_H | 2 | 6 | SEND_TO_LOADER_L |
| REC_FROM_LOADER_L | 3 | 7 | Ground |
| Ground | 4 | 8 | LOADER_PRESENT_L |