

Panasonic



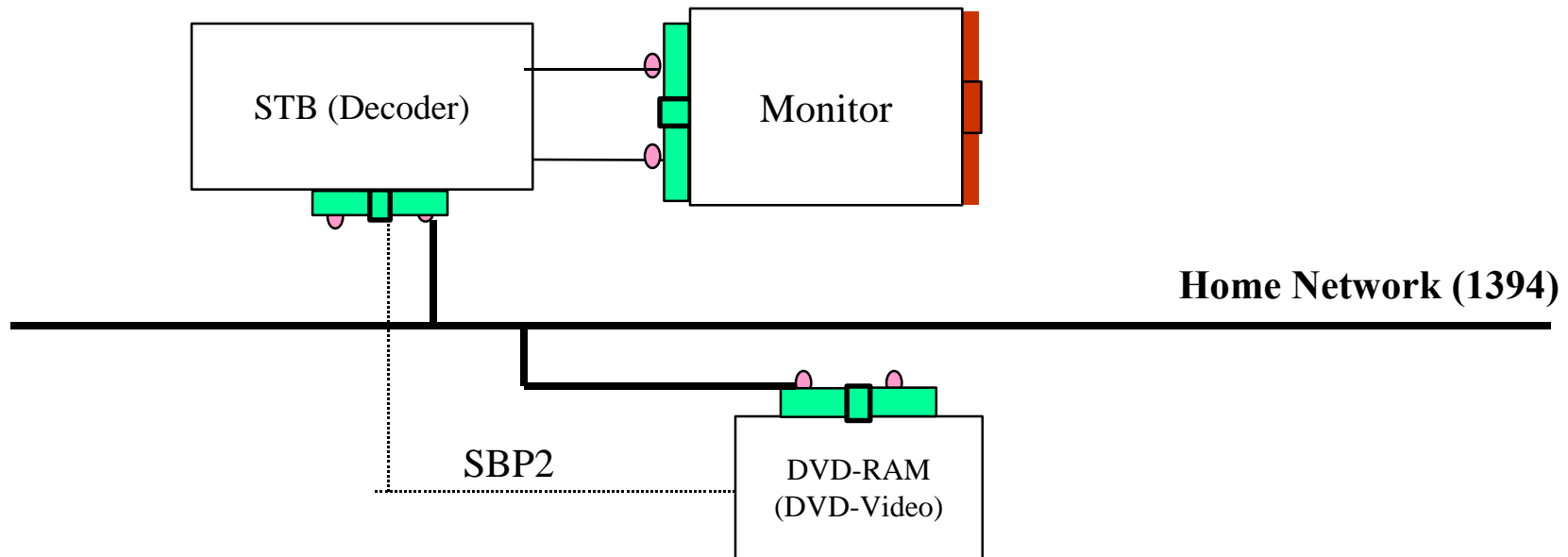
SBP3

**Prepared by:
Firooz Farhoomand- Okayama
Digital Product Engineering Div
MECA Technology Development Center**

Panasonic



Isochronous Image Processing in SBP3





SBP3 (Serial Bus Protocol 2) Modifications

- **SBP-2 is suitable method but it will not guarantee the bandwidth**
- **For STB (Decoder), it is necessary to pull data by read command.**
- **Using SBP2, The reproduction of data from DVD's media are transmitted to STB. DVD can not be reproduced when the bus is busy.**
- **My recommendation is to introduce Isochronous facility in SBP3 and issues we need to consider in SBP3 for reproduction of DVD.**