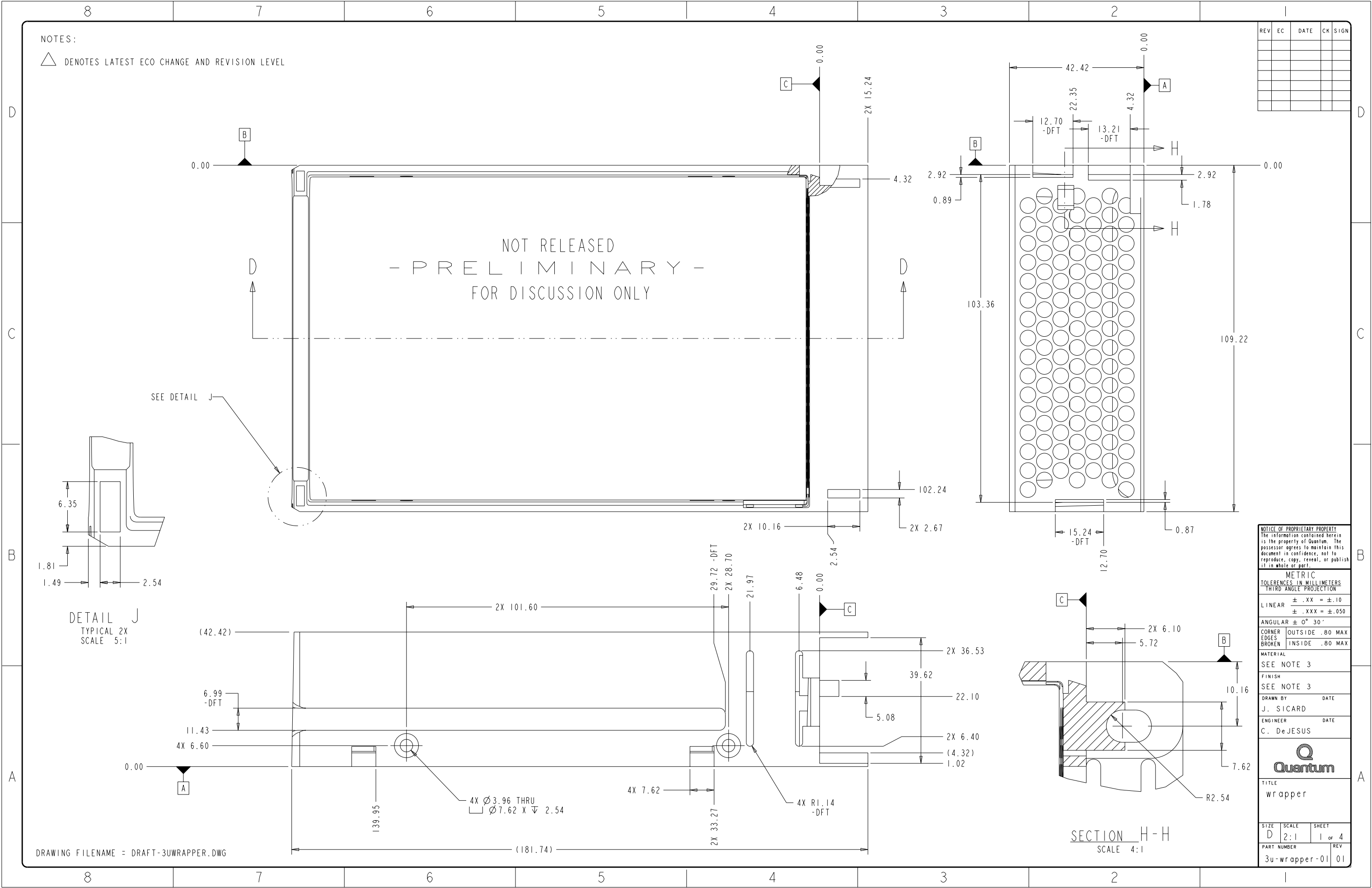


NOTES:
 △ DENOTES LATEST ECO CHANGE AND REVISION LEVEL

REV	EC	DATE	CK	SIGN



NOT RELEASED
 - PRELIMINARY -
 FOR DISCUSSION ONLY

SEE DETAIL J

DETAIL J
 TYPICAL 2X
 SCALE 5:1

SECTION H-H
 SCALE 4:1

NOTICE OF PROPRIETARY RIGHTS
 The information contained herein is the property of Quantum. The possessor agrees to maintain this document in confidence, not to reproduce, copy, reveal, or publish it in whole or part.

METRIC
 TOLERANCES IN MILLIMETERS
 THIRD ANGLE PROJECTION

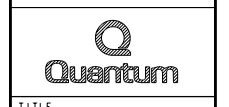
LINEAR	± .XX = ± .10
	± .XXX = ± .050
ANGULAR	± 0° 30'
CORNER EDGES BROKEN	OUTSIDE .80 MAX
	INSIDE .80 MAX

MATERIAL
 SEE NOTE 3

FINISH
 SEE NOTE 3

DRAWN BY
 J. SICARD

ENGINEER
 C. DeJESUS

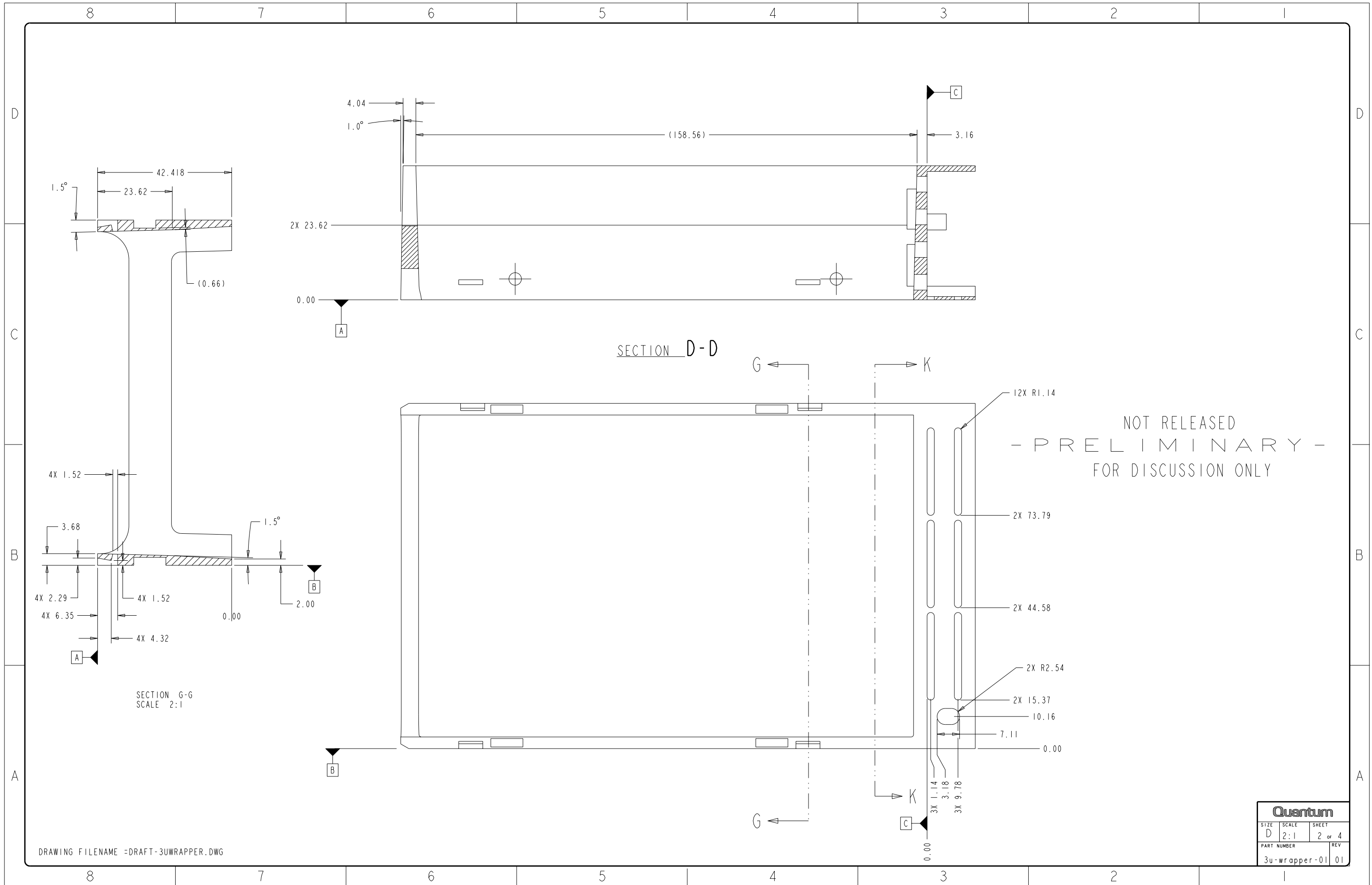


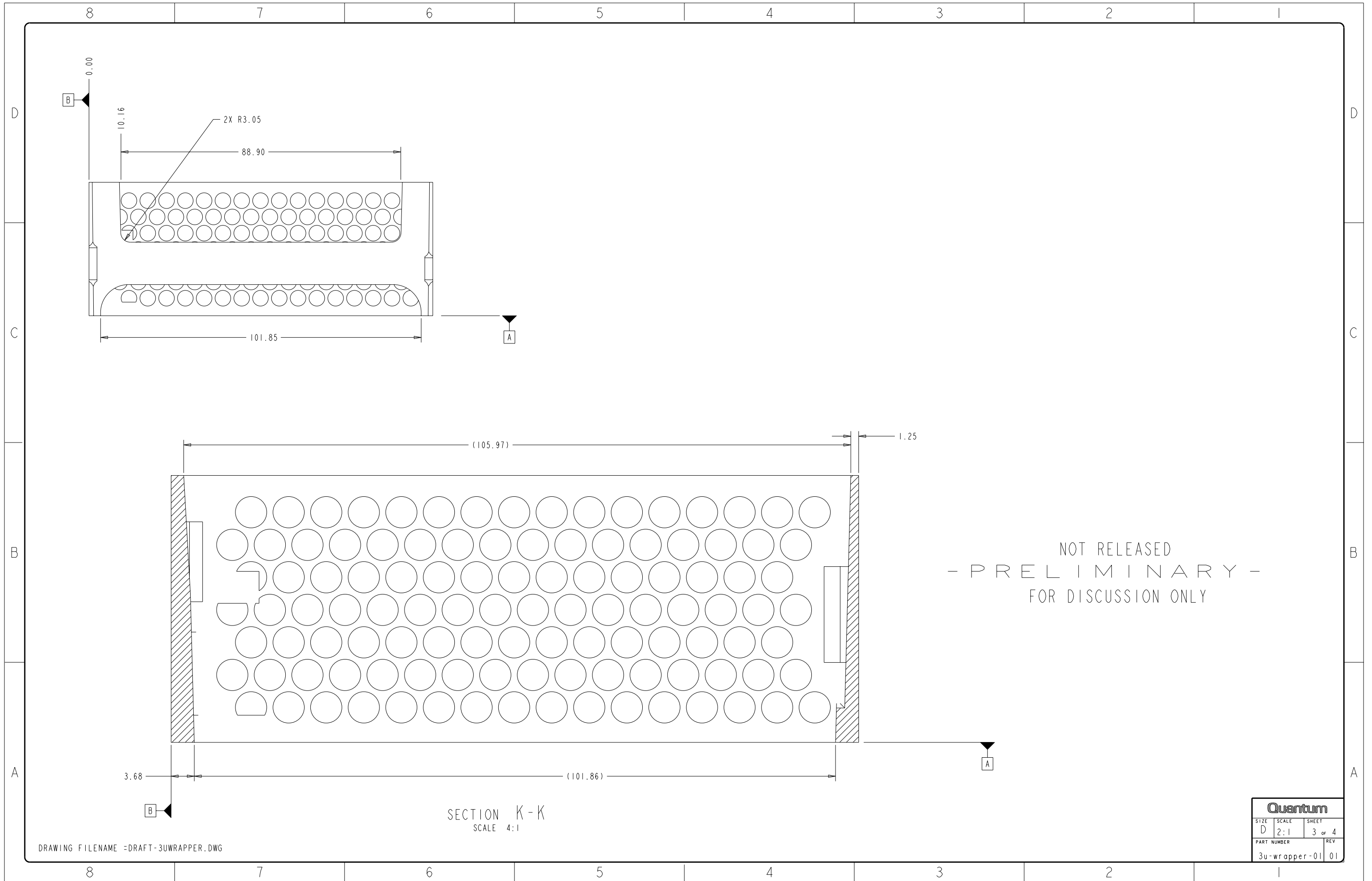
TITLE
 wrapper

SIZE	SCALE	SHEET
D	2:1	1 of 4

PART NUMBER	REV
3u-wrapper-01	01

DRAWING FILENAME = DRAFT-3UWRAPPER.DWG





8 7 6 5 4 3 2 1

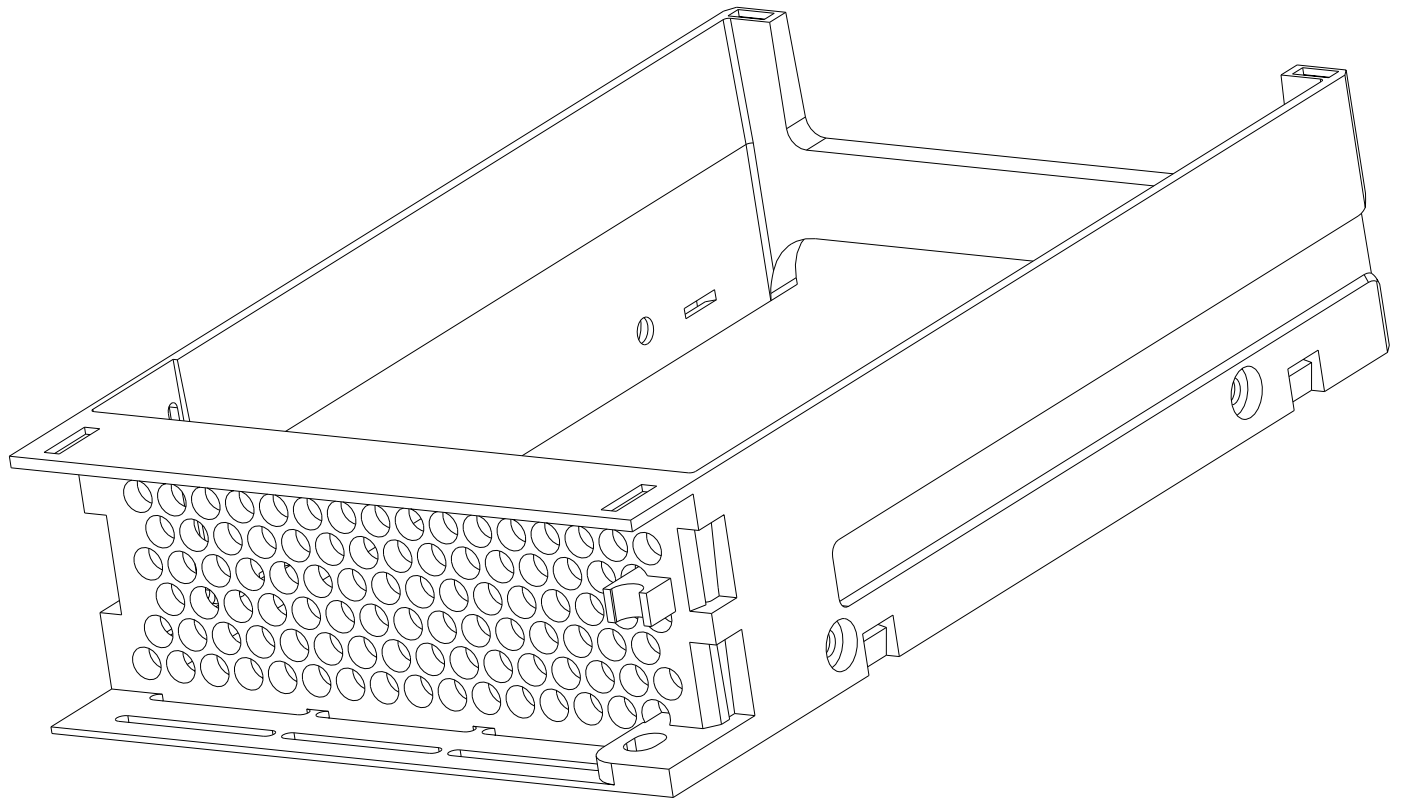
D

D

NOT RELEASED
- PRELIMINARY -
FOR DISCUSSION ONLY

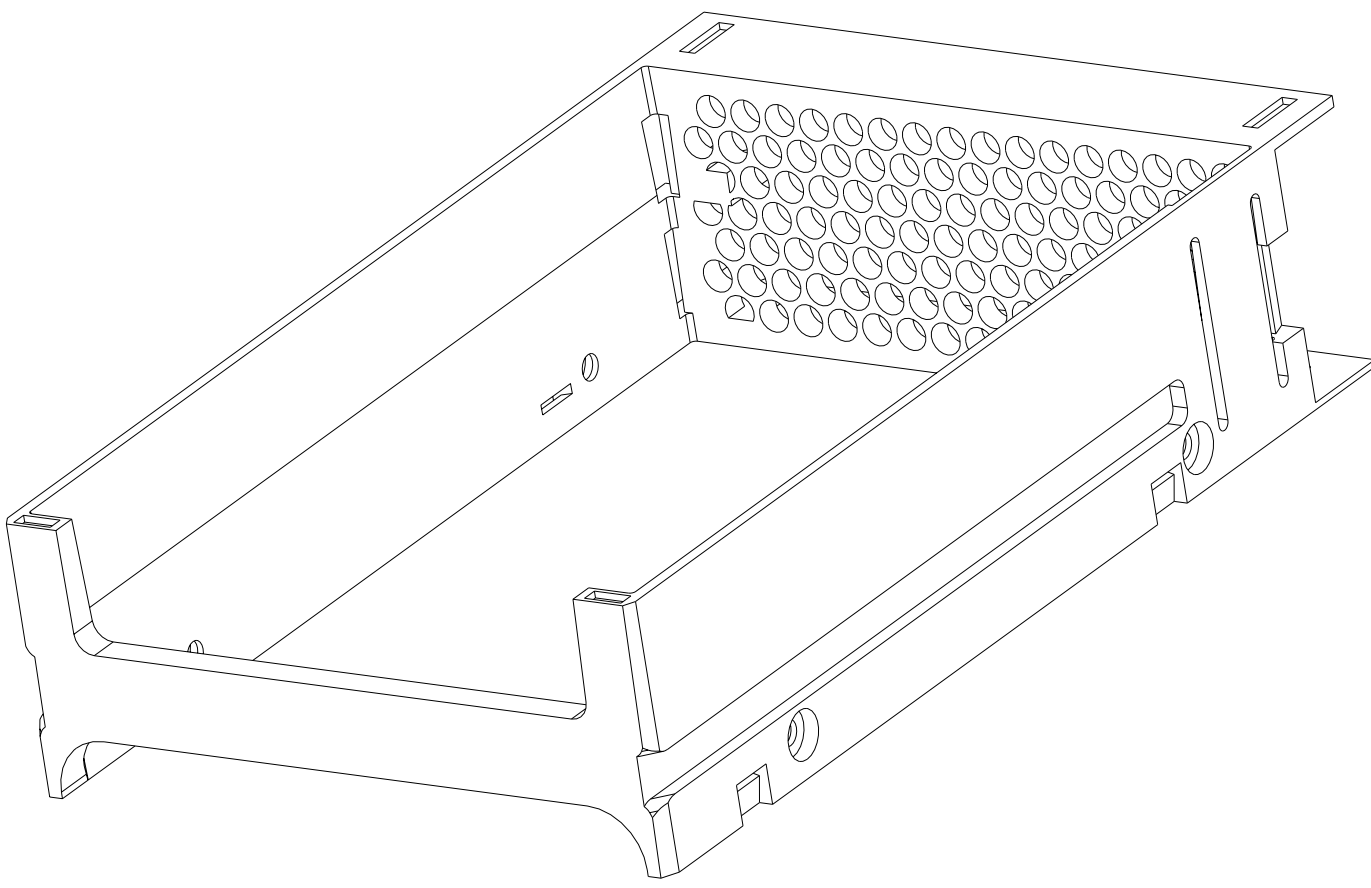
C

C



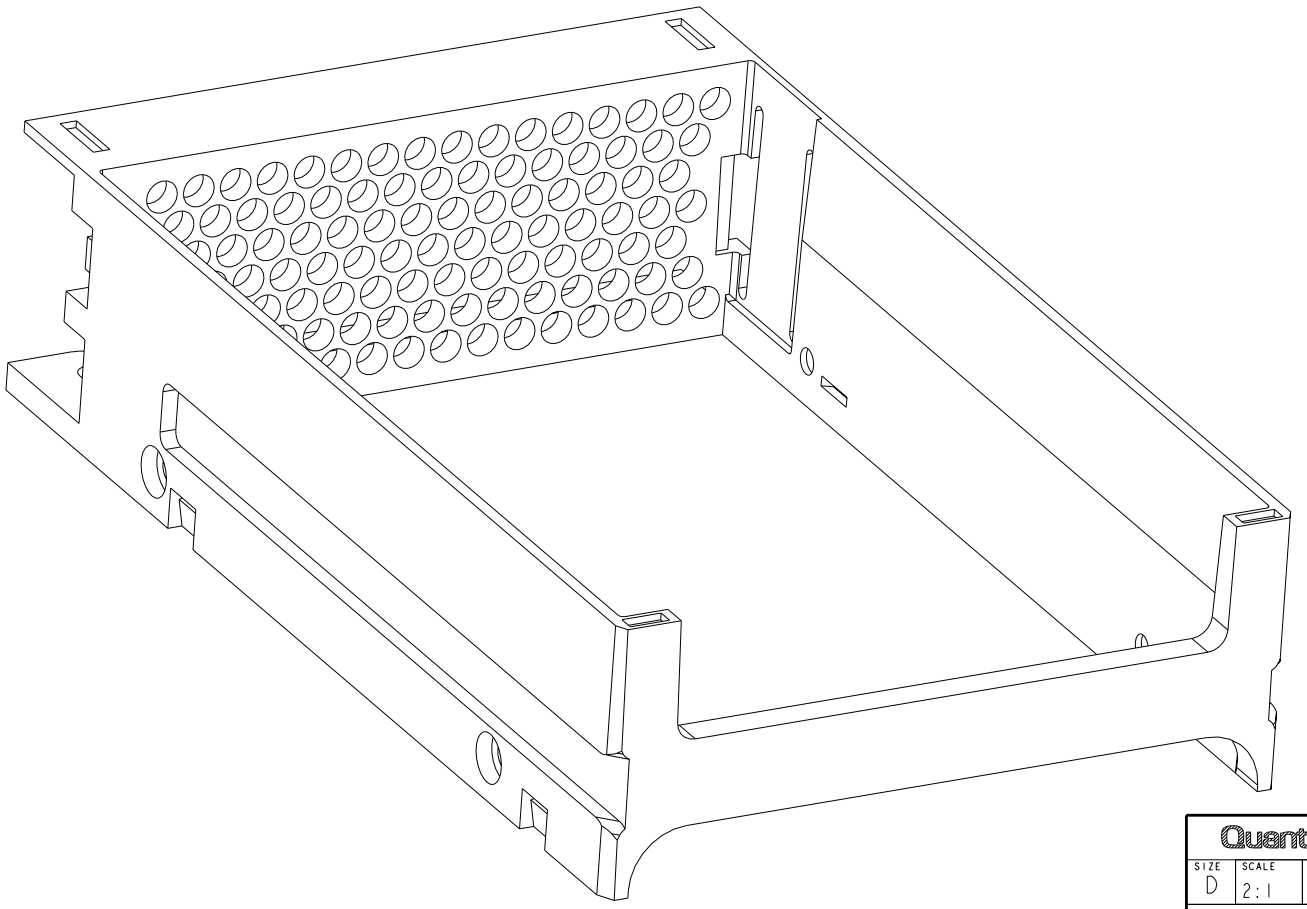
B

B



A

A



DRAWING FILENAME =DRAFT-3UWRAPPER.DWG

8 7 6 5 4 3 2 1

Quantum			
SIZE	SCALE	SHEET	
D	2:1	4	of 4
PART NUMBER			REV
3u-wrapper-01			01